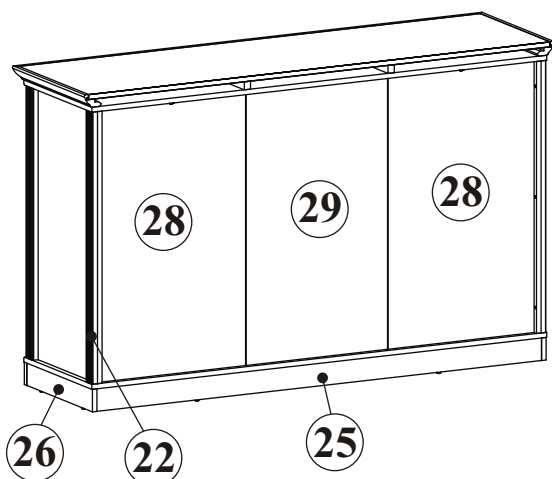
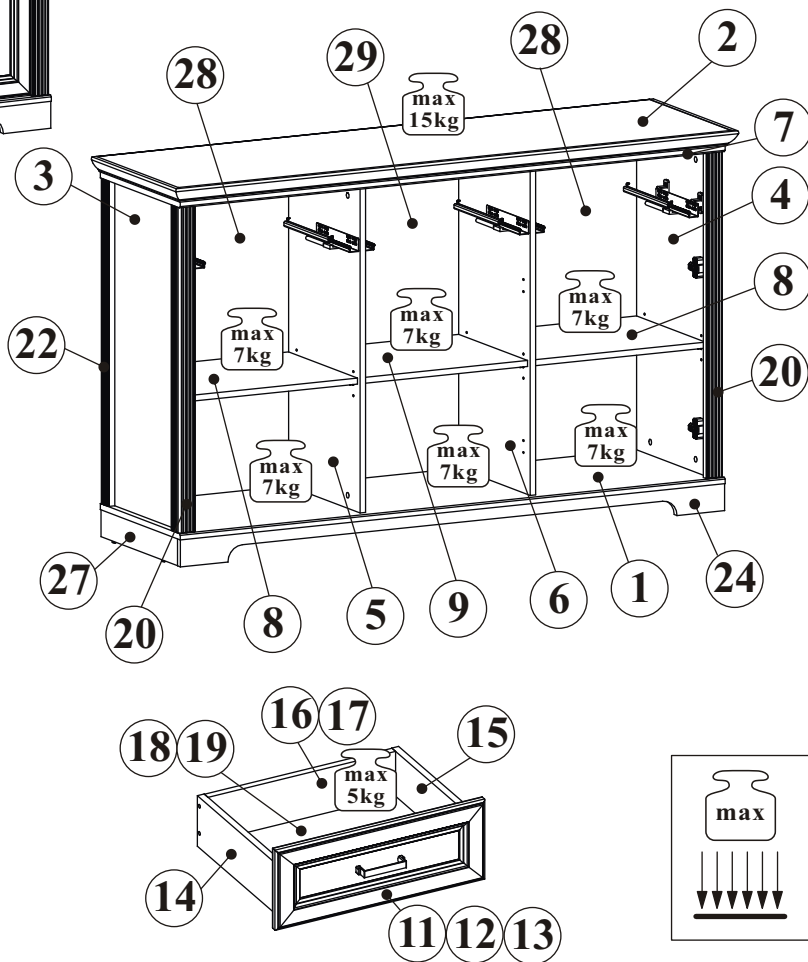
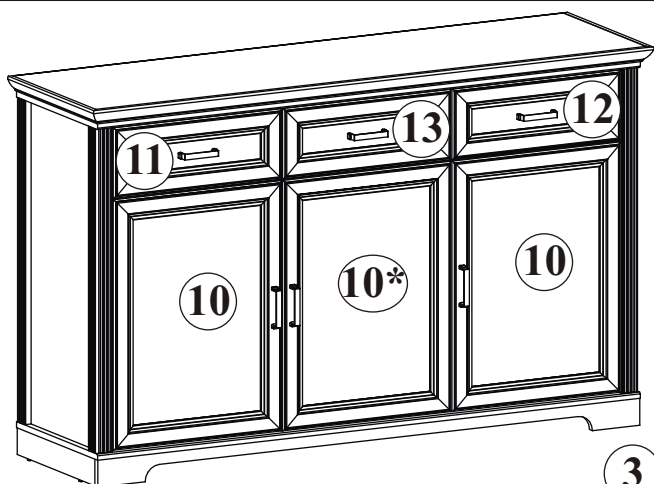
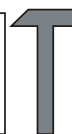


JASMIN 10G9_20

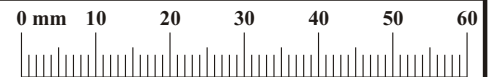


NO	Dim.		Col.-No	Qty
1	1602	450	2	1
2	1655	476	2	1
3	866	423	1	1
4	866	423	1	1
5	866	403	3	1
6	866	403	3	1
7	1602	450	3	1
8	507	388	4	2
9	484	388	4	1
10	668	496	1	3
11	496	188	1	1
12	496	188	1	1
13	496	188	1	1

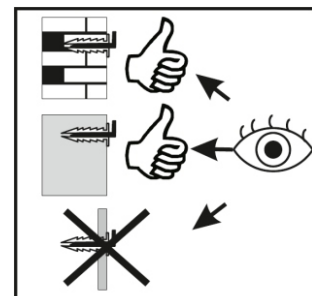
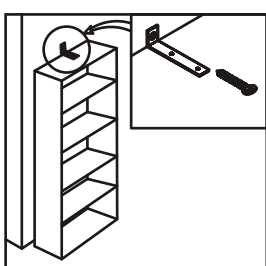
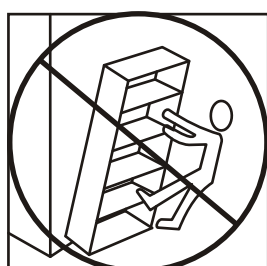
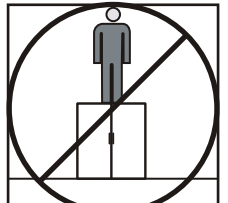
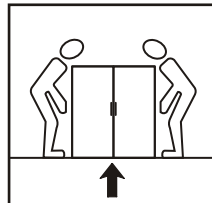
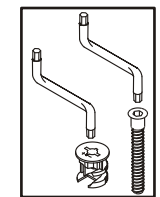
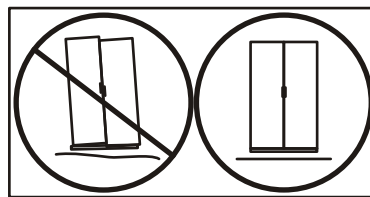
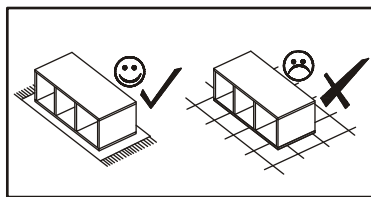
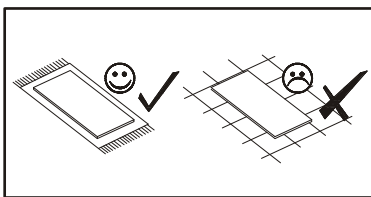
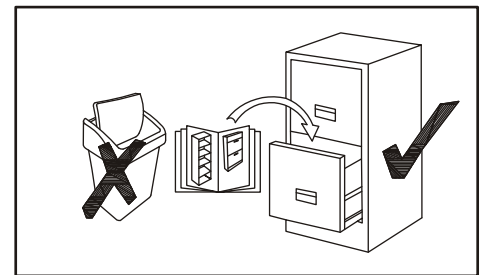
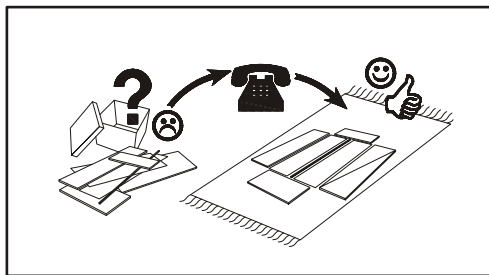
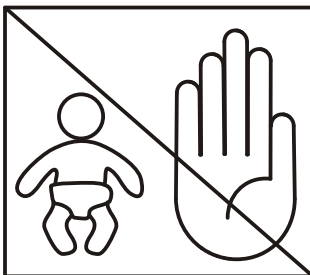
NO	Dim.		Col.-No	Qty
14	350	120	3	3
15	350	120	3	3
16	442	106	3	2
17	444	106	3	1
18	454	354	3	2
19	354	456	3	1
20	866	49	3	2
22	866	43	3	2
24	1600	72	2	1
25	1566	72	2	1
26	433	72	3	1
27	433	72	3	1
28	878	521	1	2
29	878	500	1	1



180 min

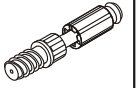


A1 x43 ø8x36	B4 x34	B5 x34 ø15x12	G5 x34	B11 x12 Ø7x50	B14 x20 Ø7x30
E9 x2 H=8	E17 x4 H=16	E13 x6	E0 x4 H=11	EK8 x8 EKØ6,3x24	G4 x24
QU x3 L-350	D20 x12 ESØ6,3x9,5	D10 x30 USØ3,5x13	H1 x4	EK6 x8 EKØ6,3x13	G7 x12
C19 x6	D34 x6 M4x16	D4 x6 M4x30	Z2 x4 Ø5	KM1 x3	I2 x6
S1 x19	G16 x12	UP13 x24 UPØ3x16	L1 x2	KR1 x2	G2 x1
UP9 x8 UPØ3,5x16	I9 x2 H-60 mm.	G12 x8 Ø14			

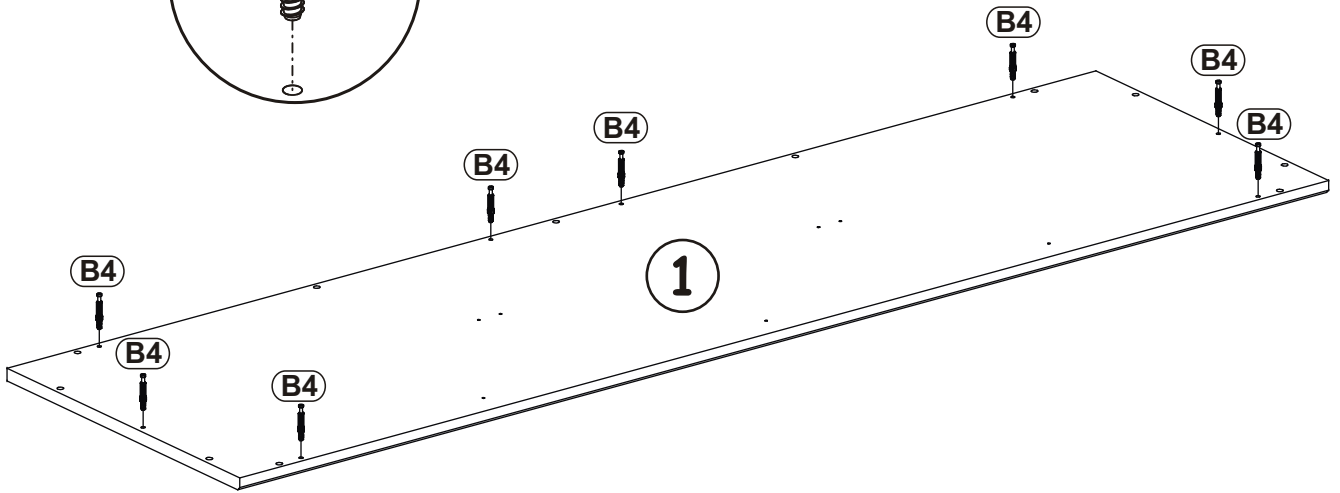
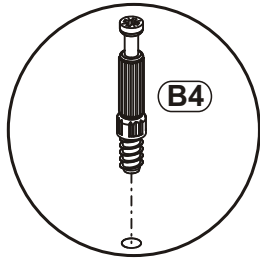


B4

x8



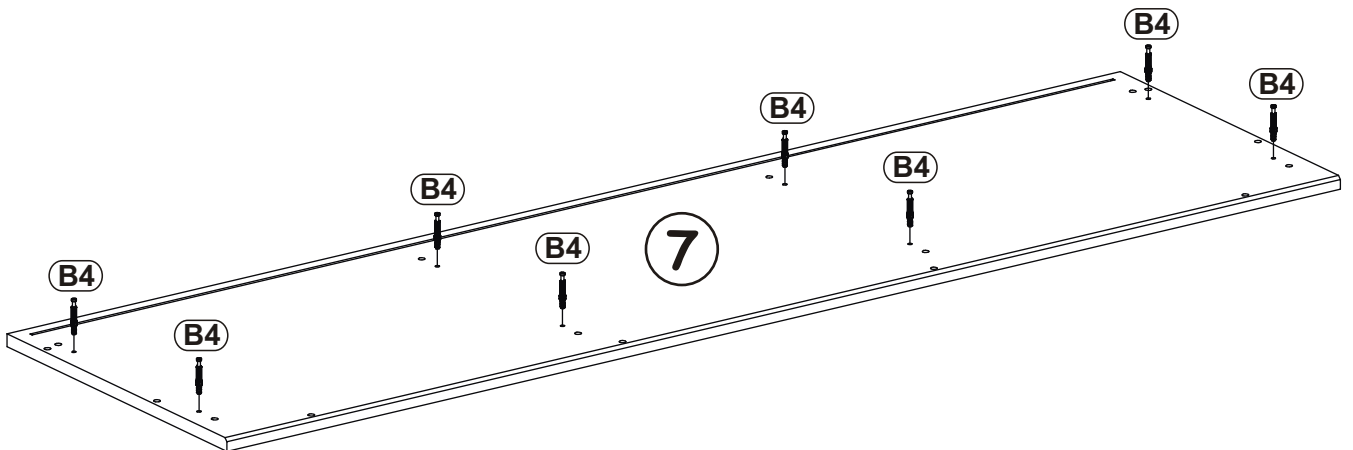
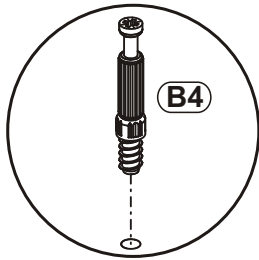
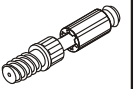
1



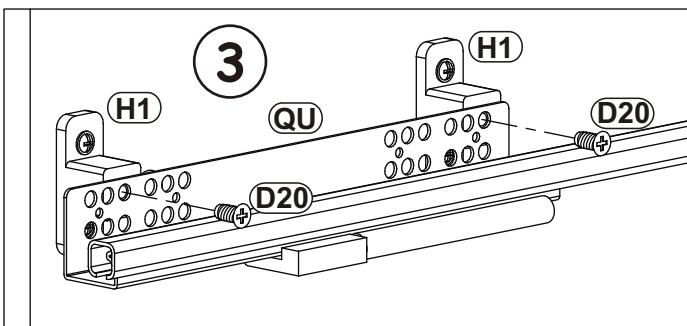
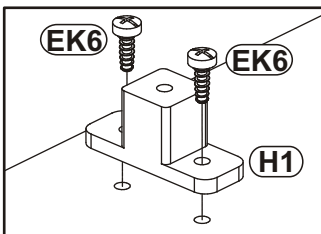
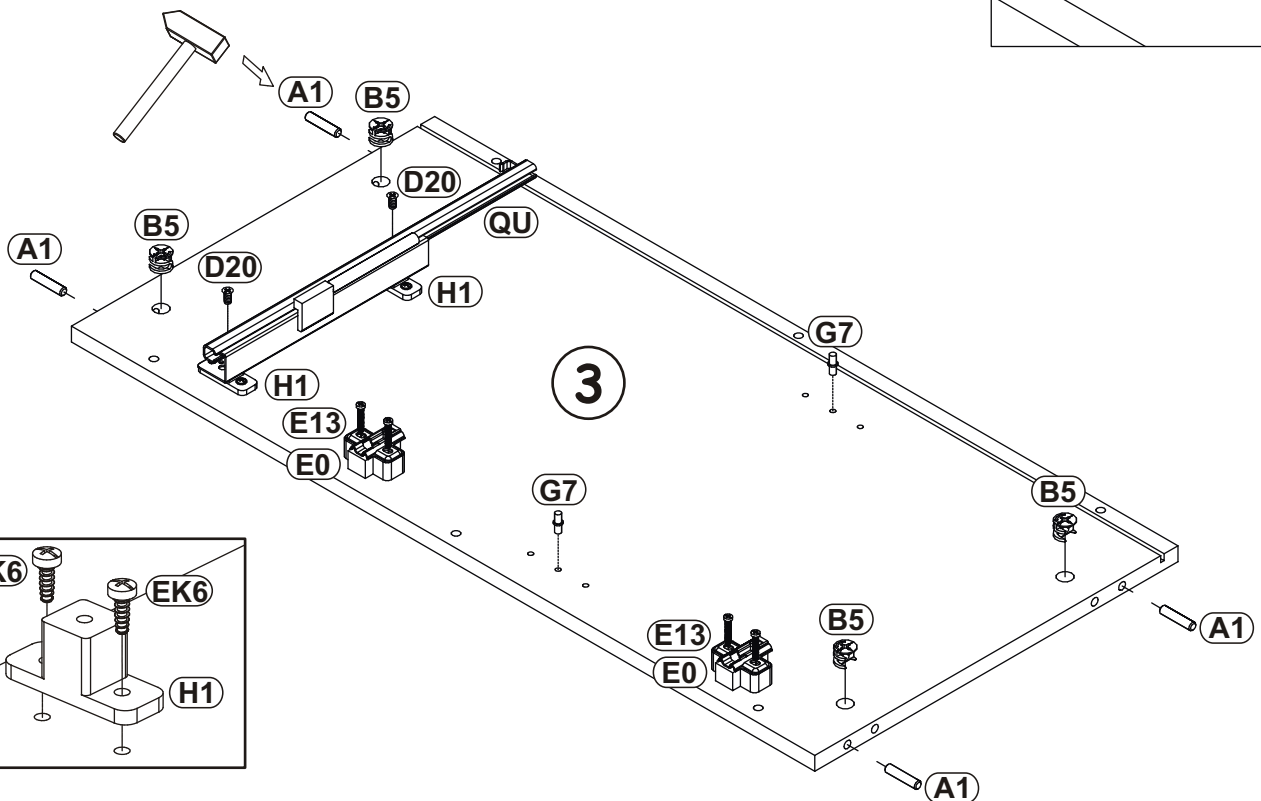
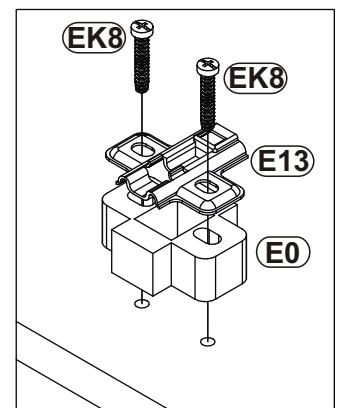
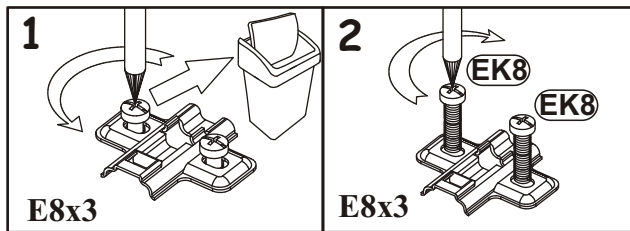
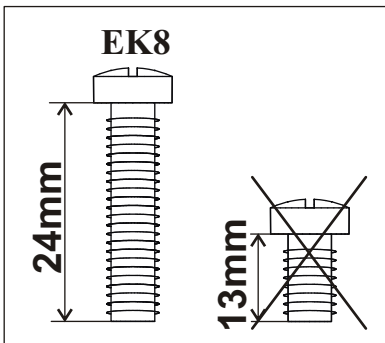
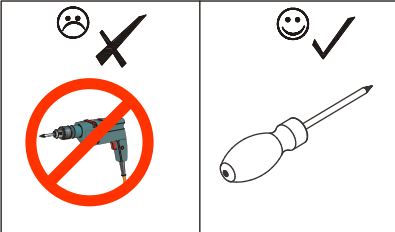
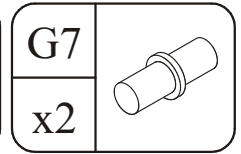
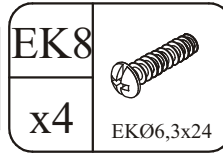
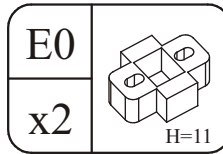
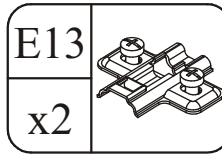
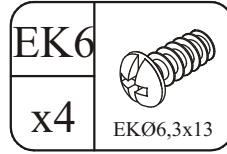
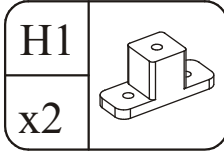
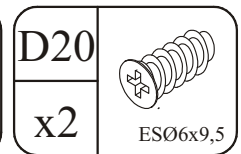
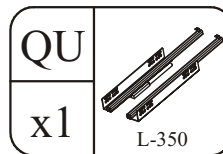
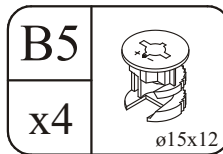
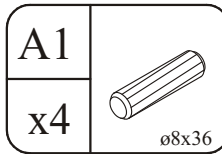
2

B4

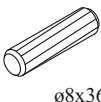



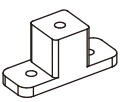

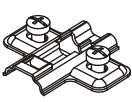


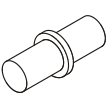
x8

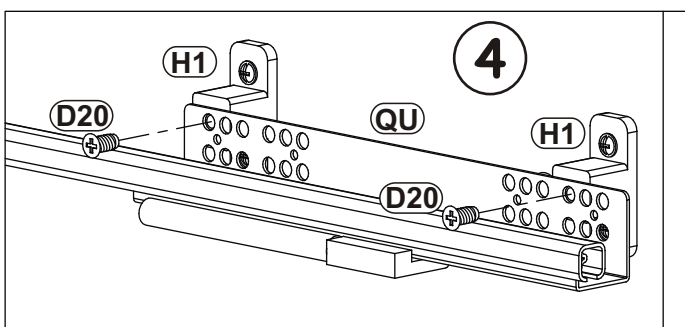
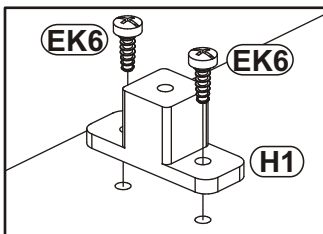
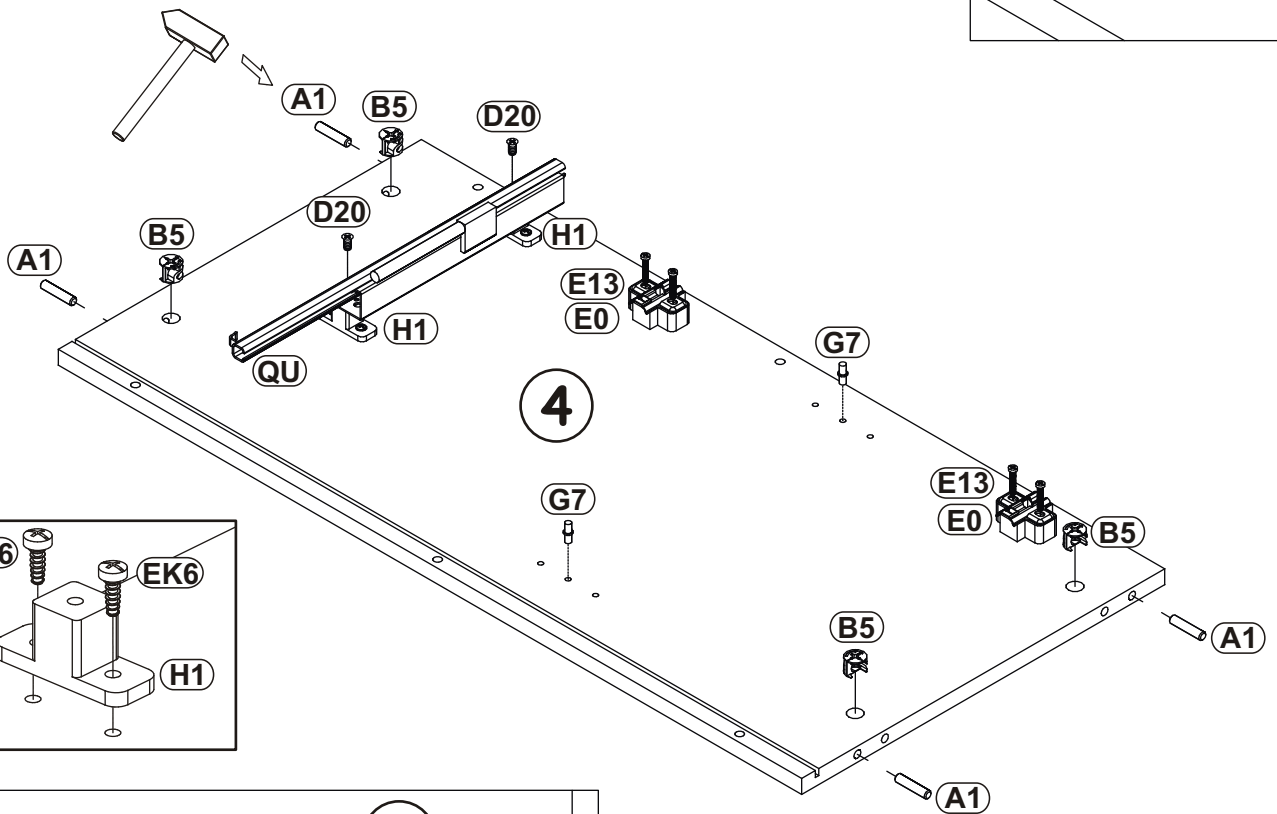
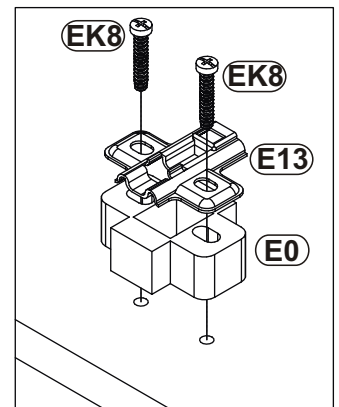
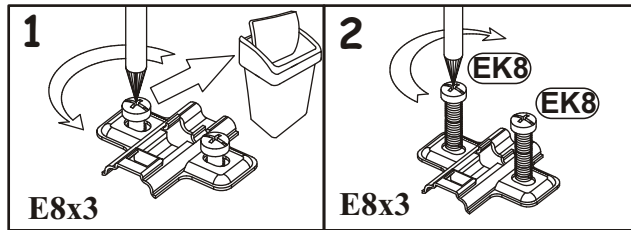
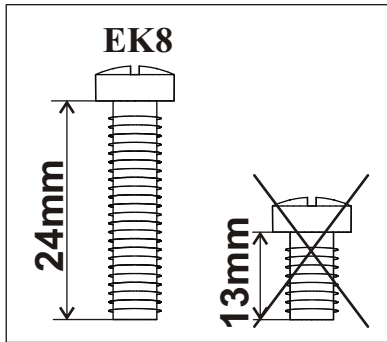
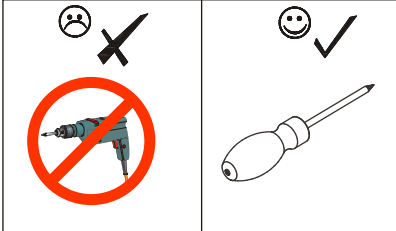


3

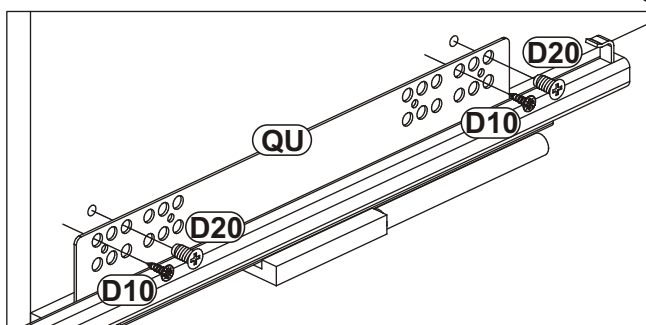
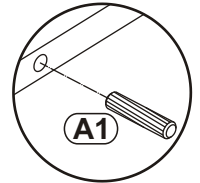
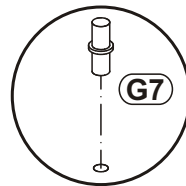
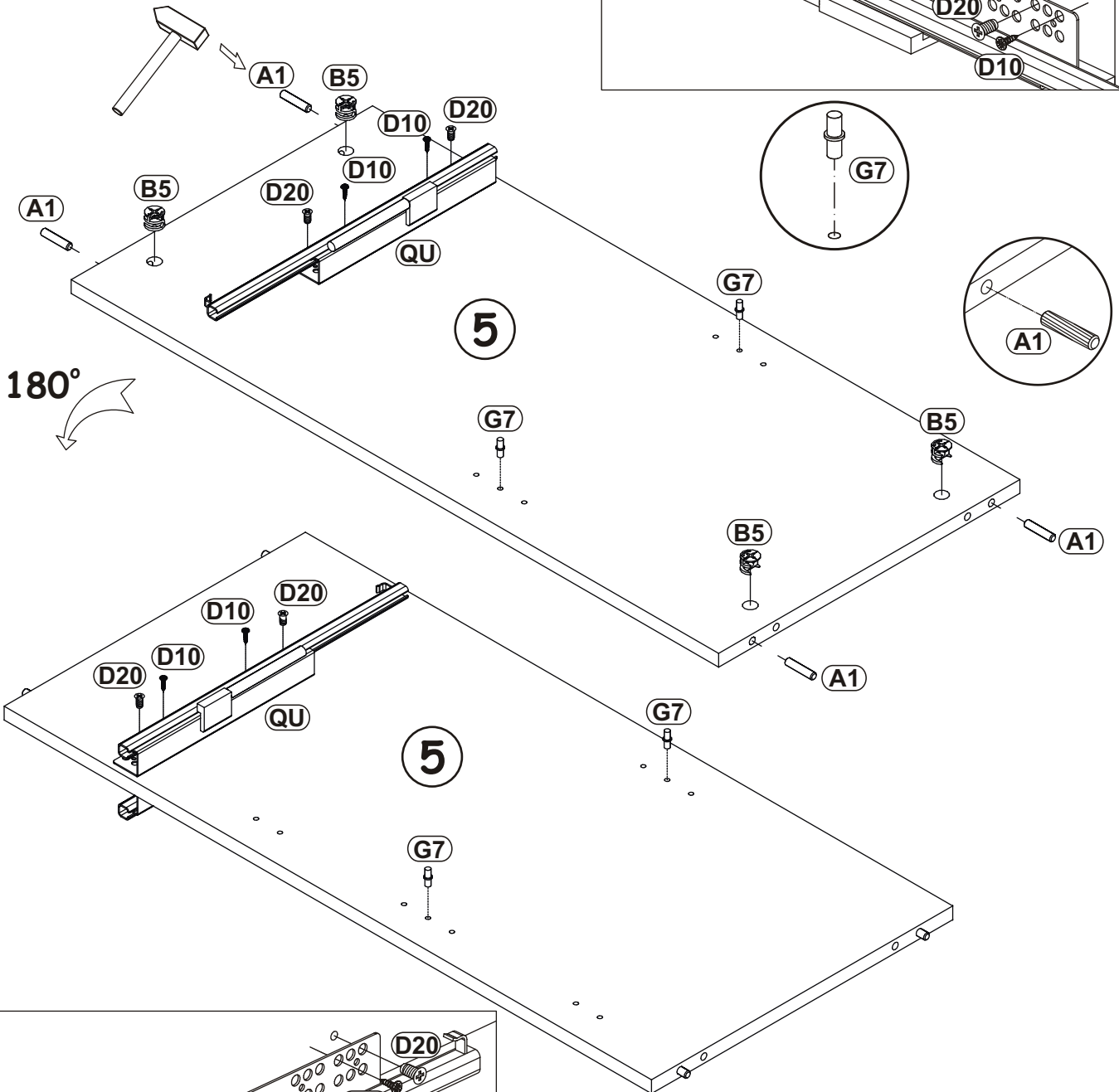
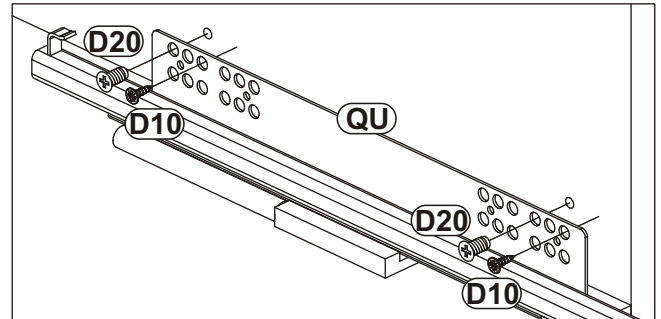
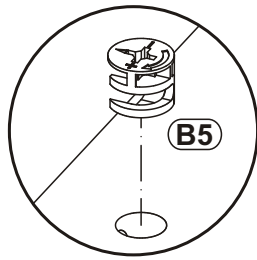
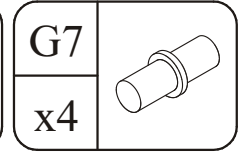
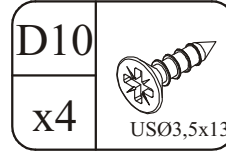
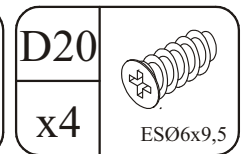
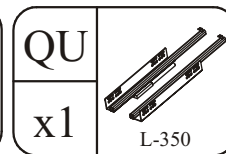
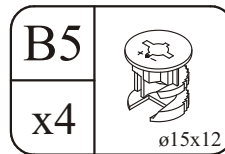
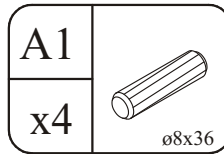


4

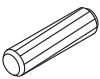
A1 x4	 ø8x36	B5 x4	 ø15x12	QU x1	 L-350	D20 x2	 ESØ6x9,5				
H1 x2		EK6 x4	 EKØ6,3x13	E13 x2		E0 x2	 H=11	EK8 x4	 EKØ6,3x24	G7 x2	





5

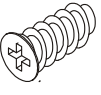



6

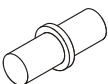
A1	
x4	ø8x36

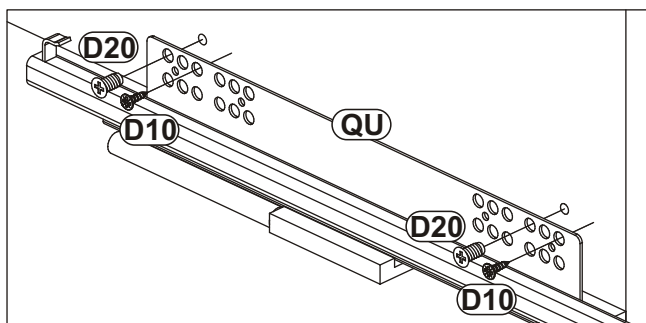
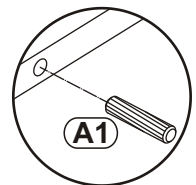
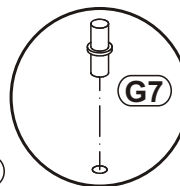
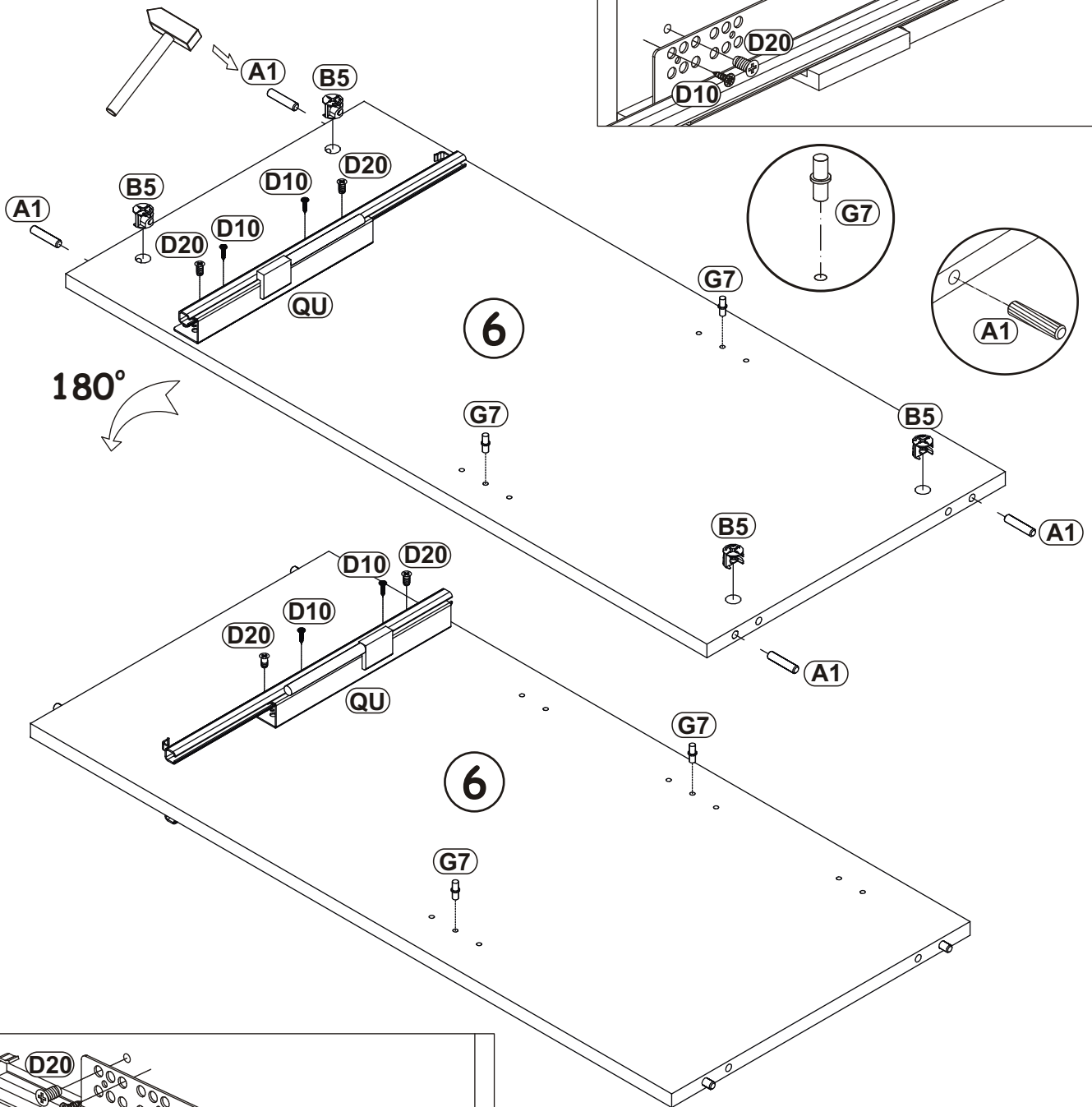
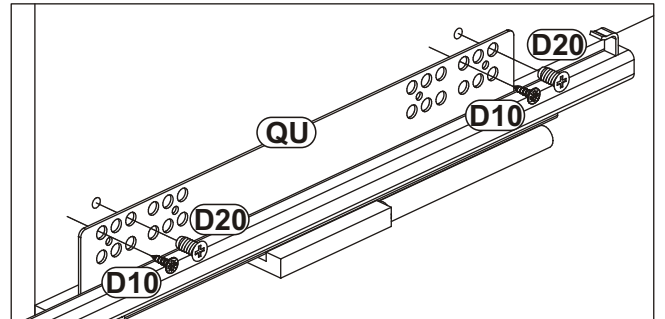
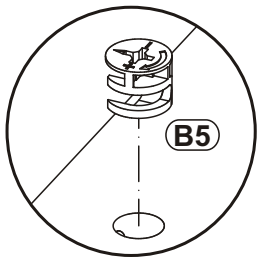
B5	
x4	ø15x12

QU	
x1	L-350

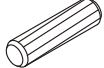
D20	
x4	ESØ6x9,5

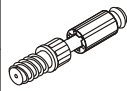
D10	
x4	USØ3,5x13


G7	
x4	

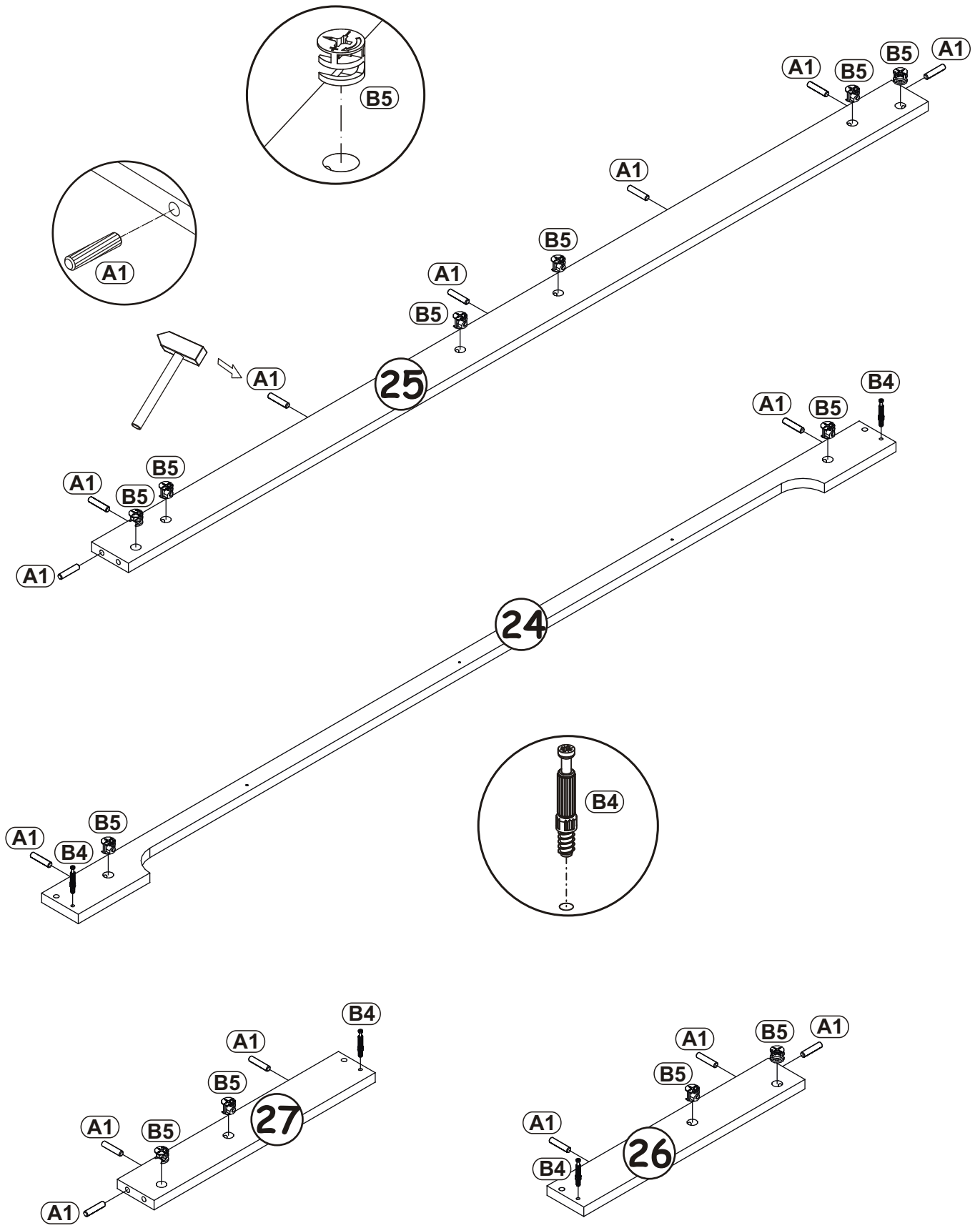


7

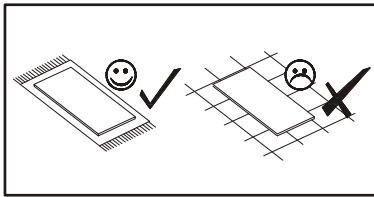
A1	
x15	ø8x36

B4	
x4	

B5	
x12	ø15x12



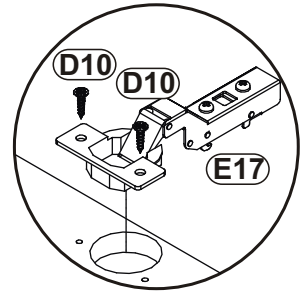
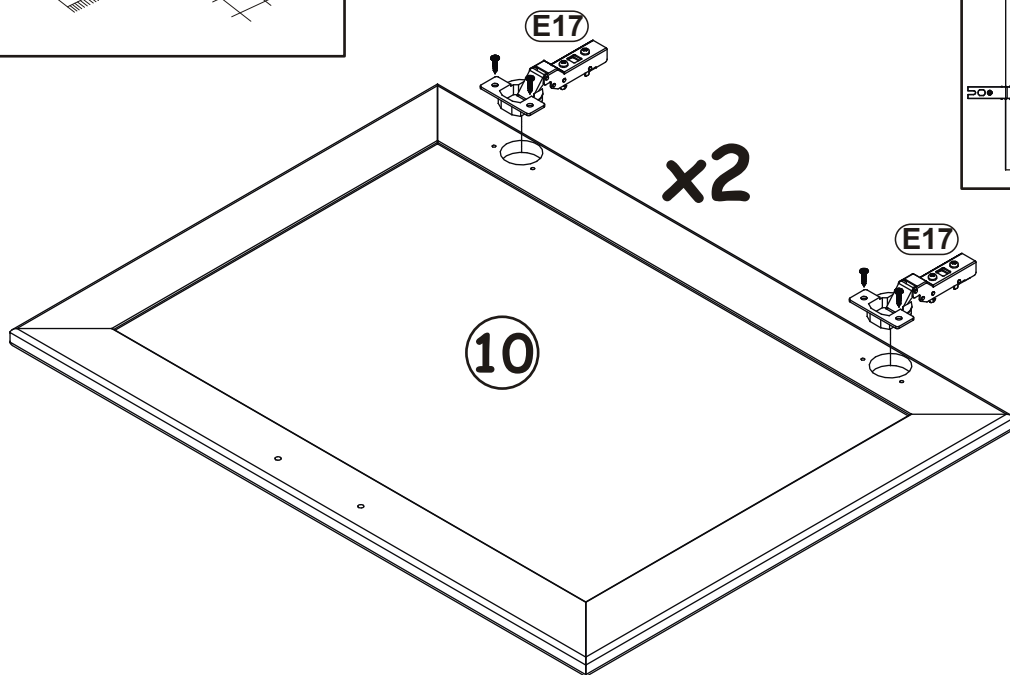
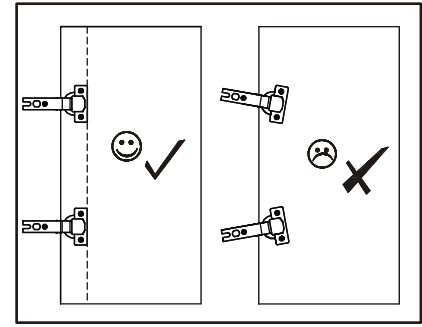
8



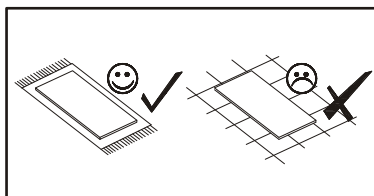
E9	
x2	H=8

E17	
x4	H=16

D10	
x8	USØ3,5x13



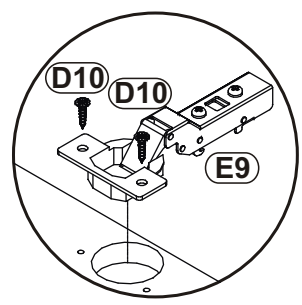
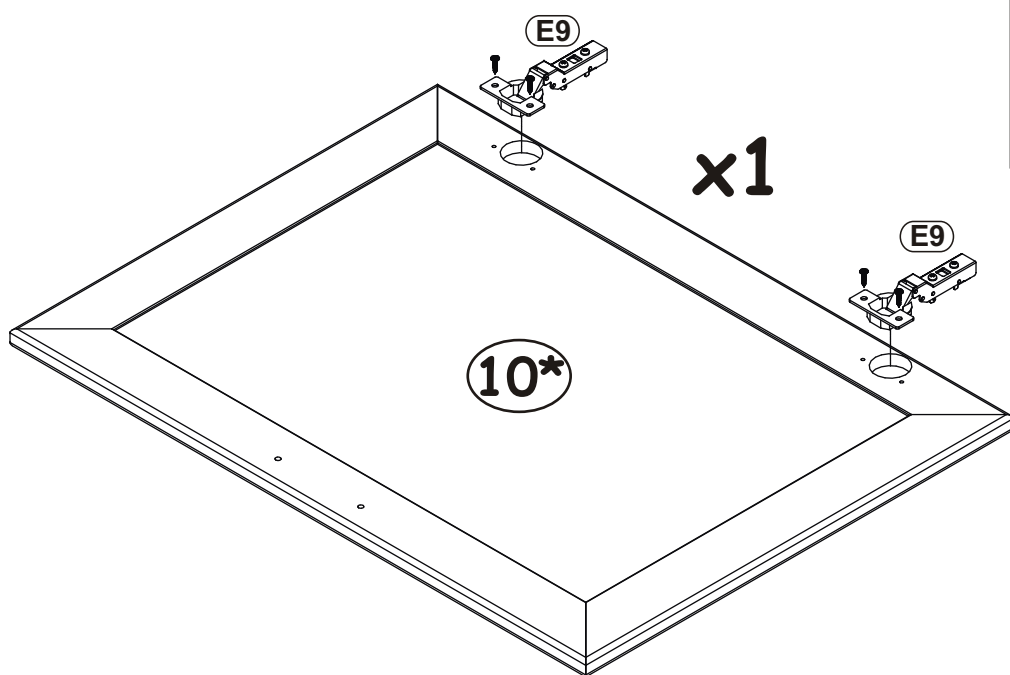
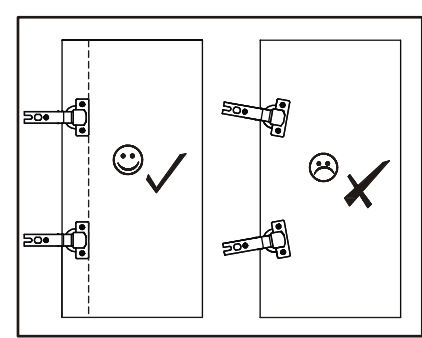
9



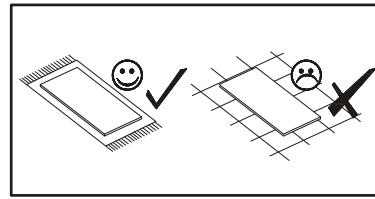
E17	
x4	H=16

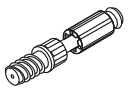
E9	
x2	H=8

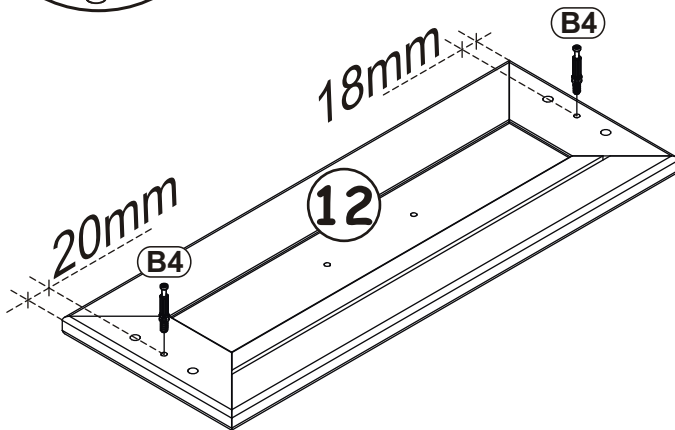
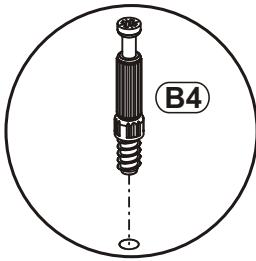
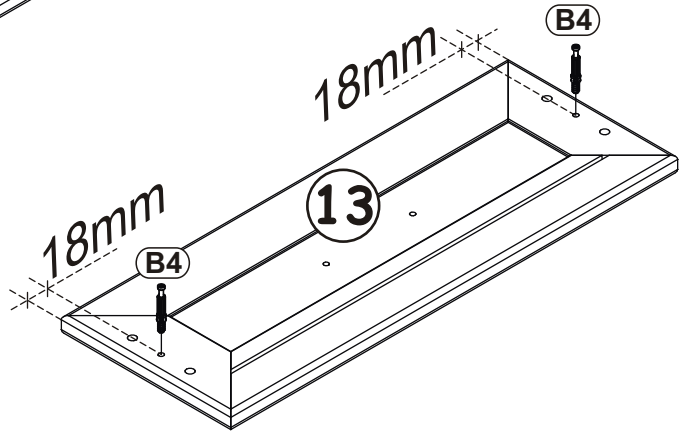
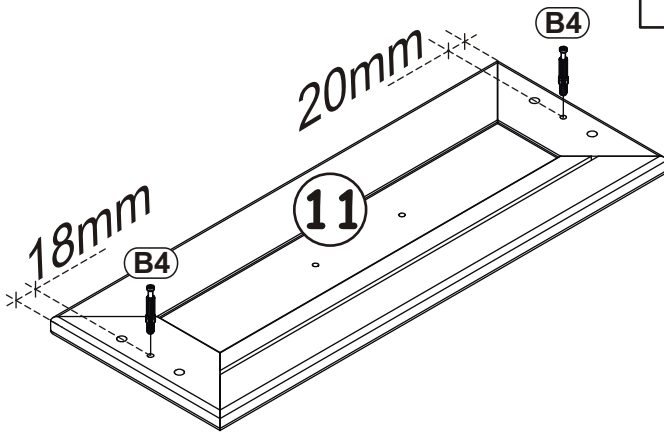
D10	
x4	USØ3,5x13



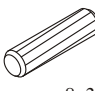
10




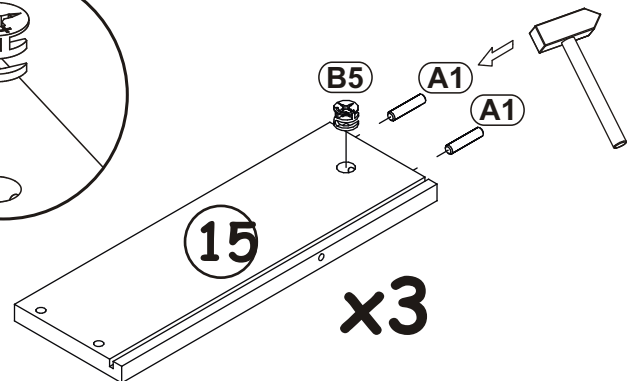
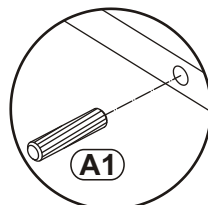
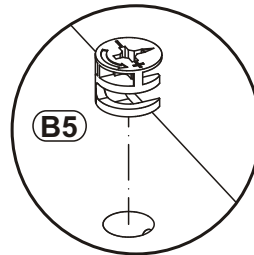
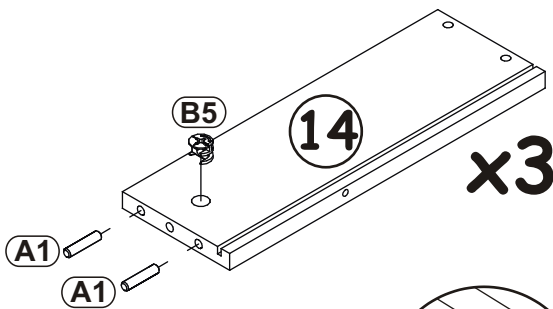
B4	
x6	





11

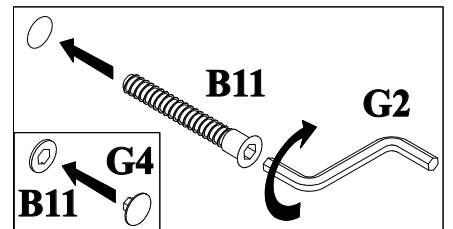
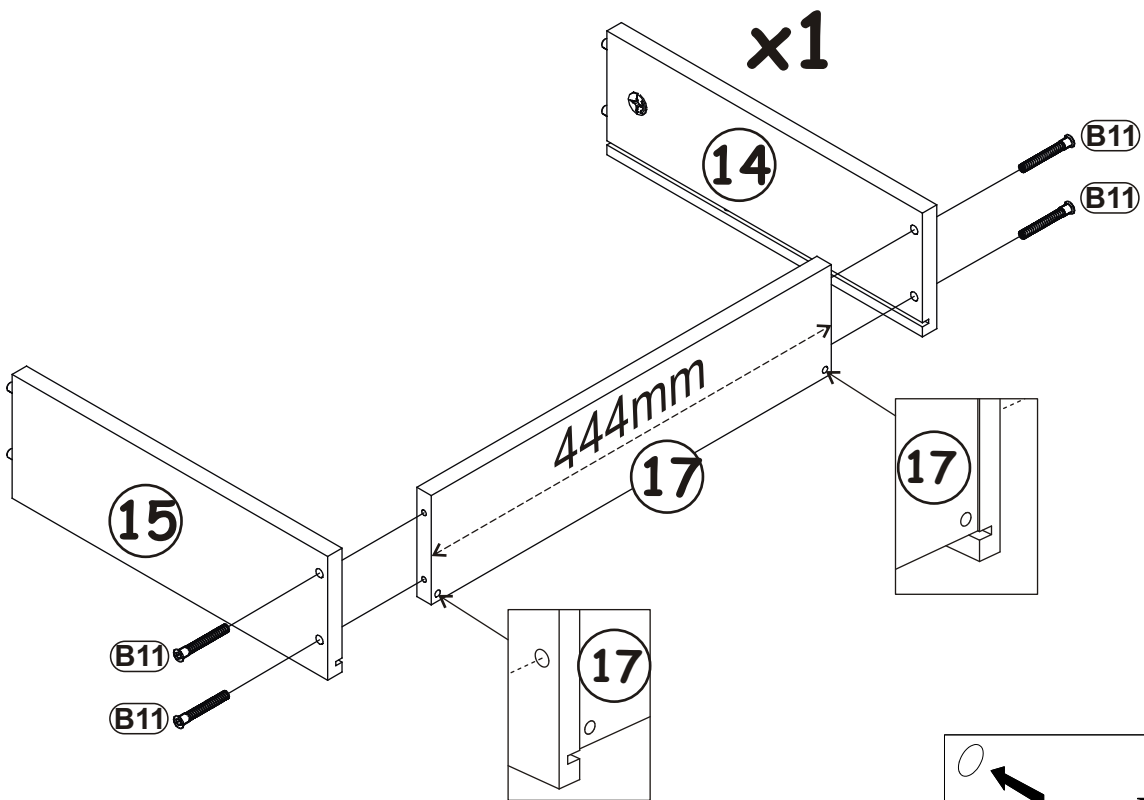
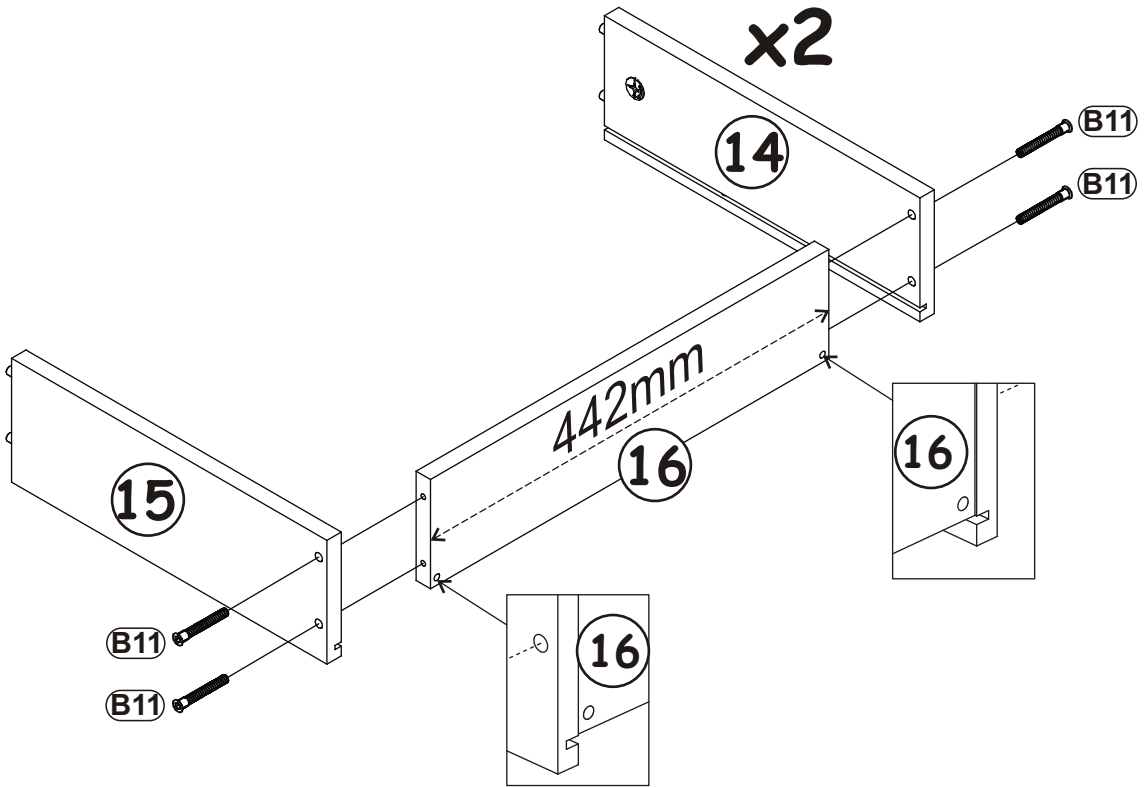
A1	
x12	

B5	
x6	



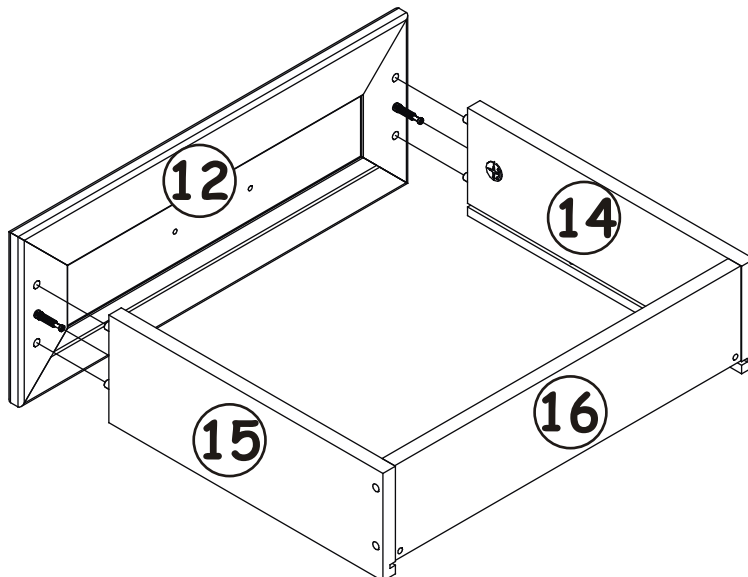
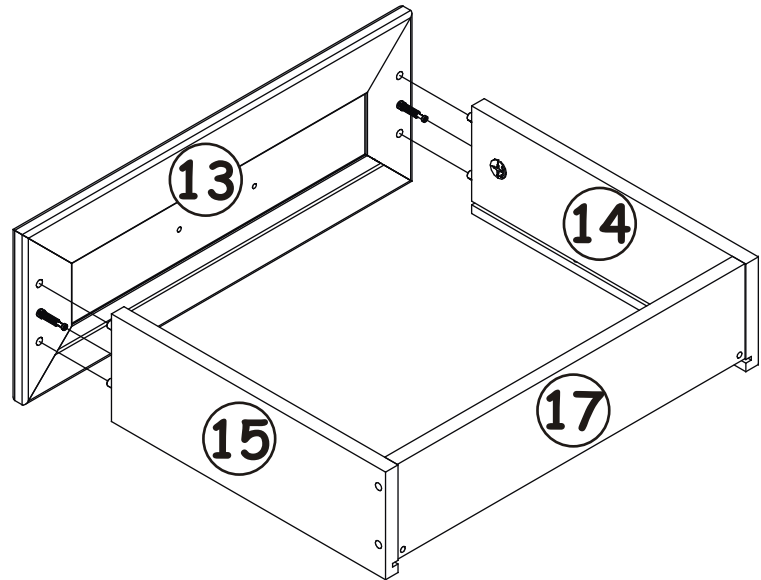
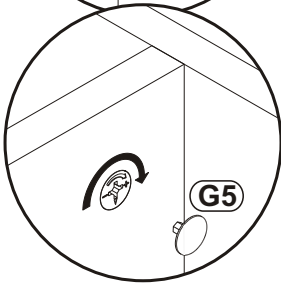
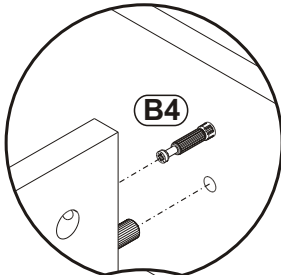
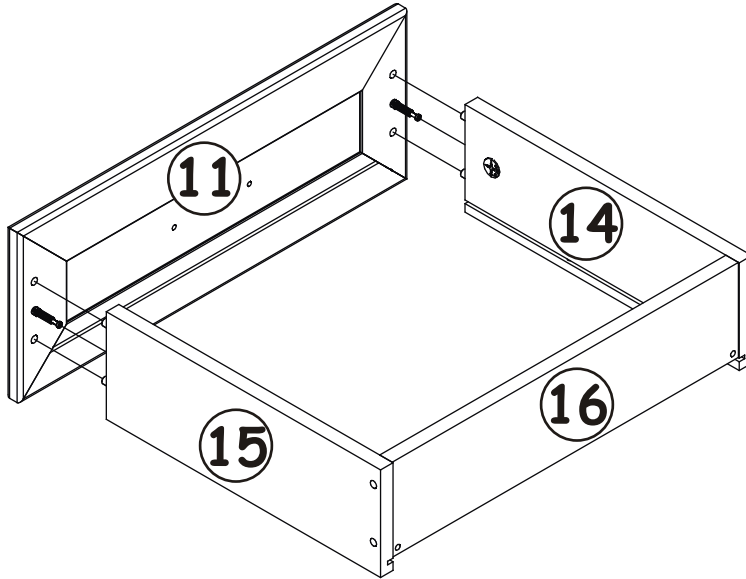
B11		G4	
x12	Ø7x50	x12	

12

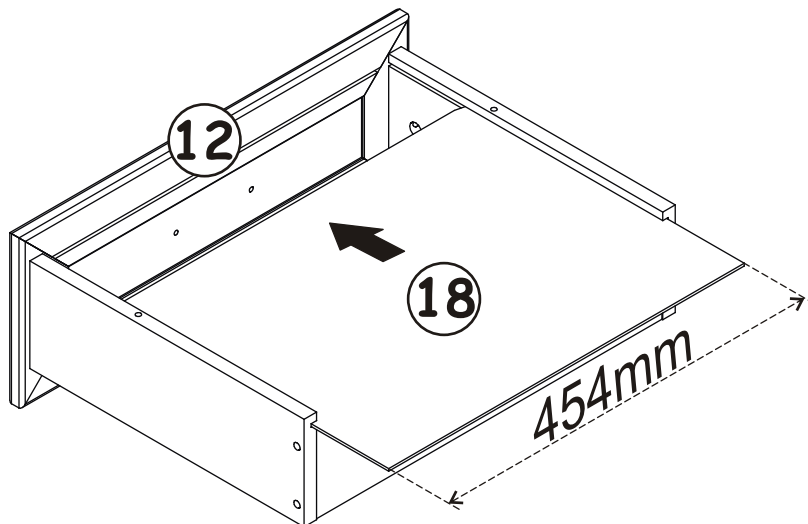
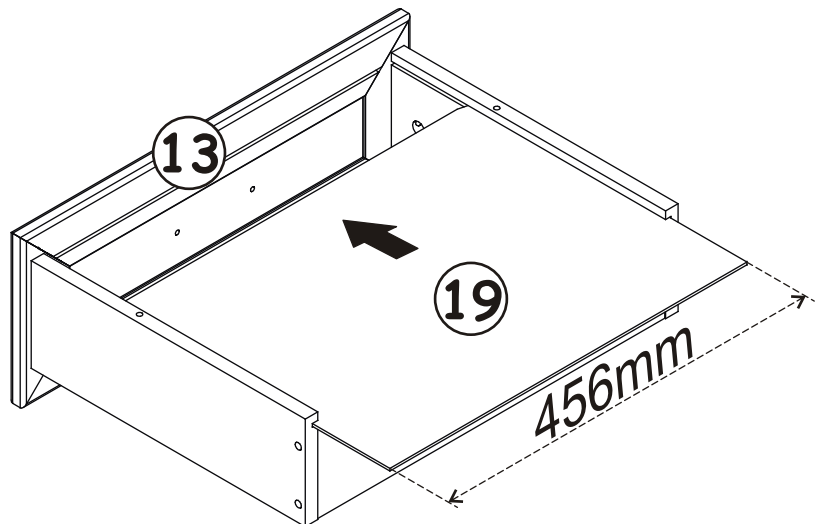
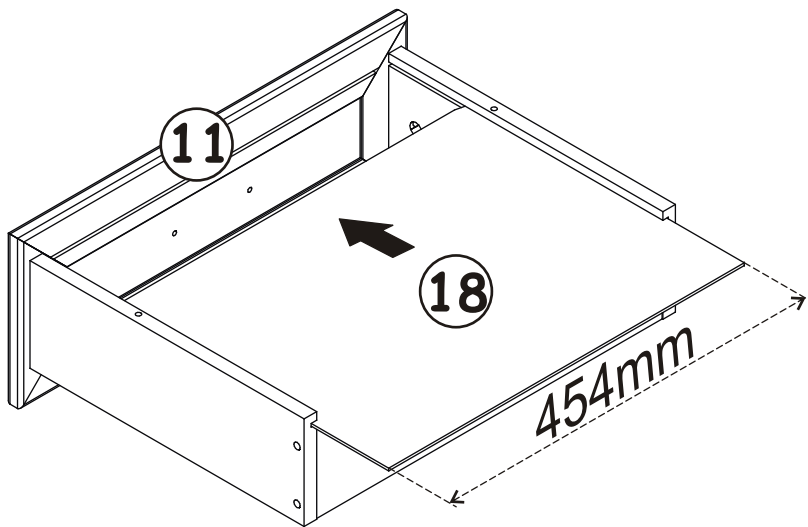




13

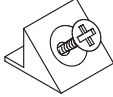



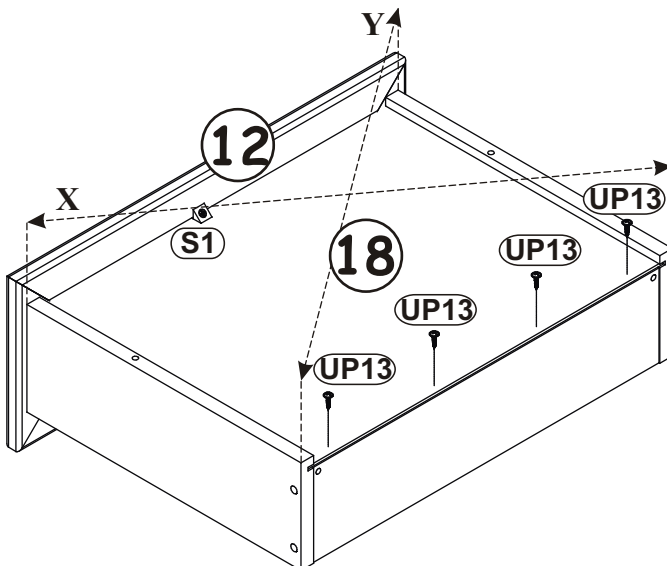
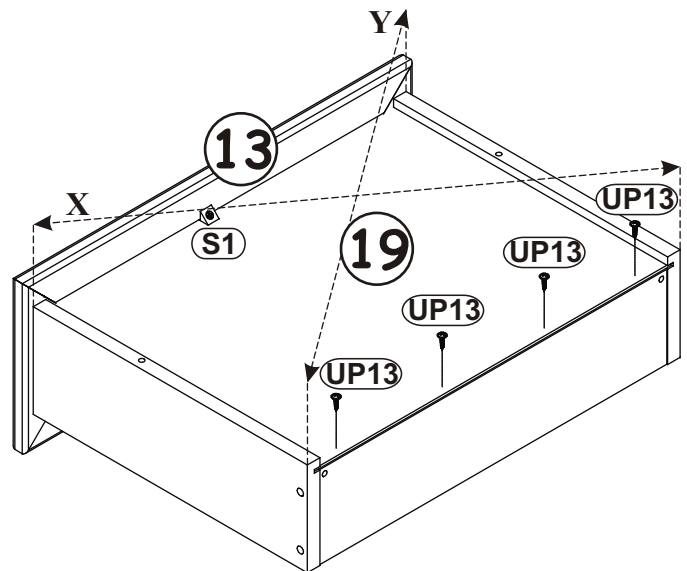
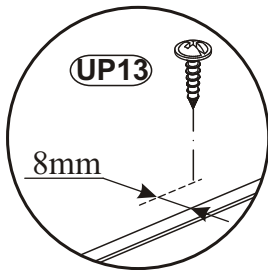
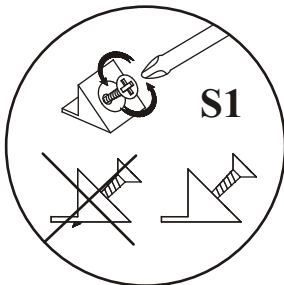
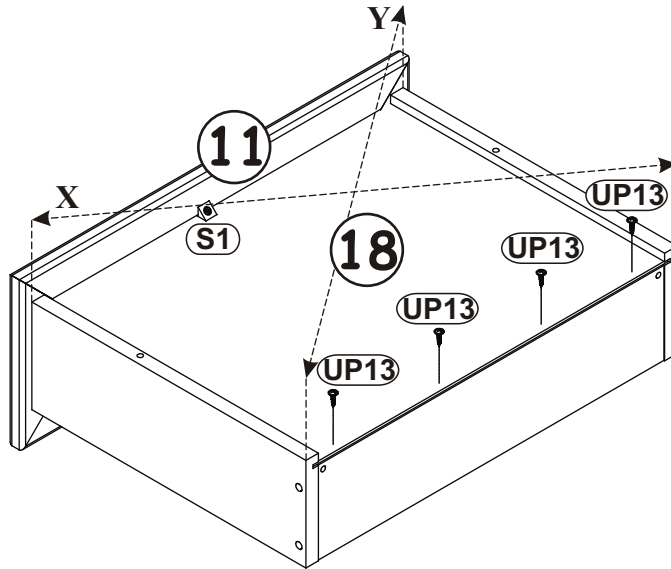
14




15

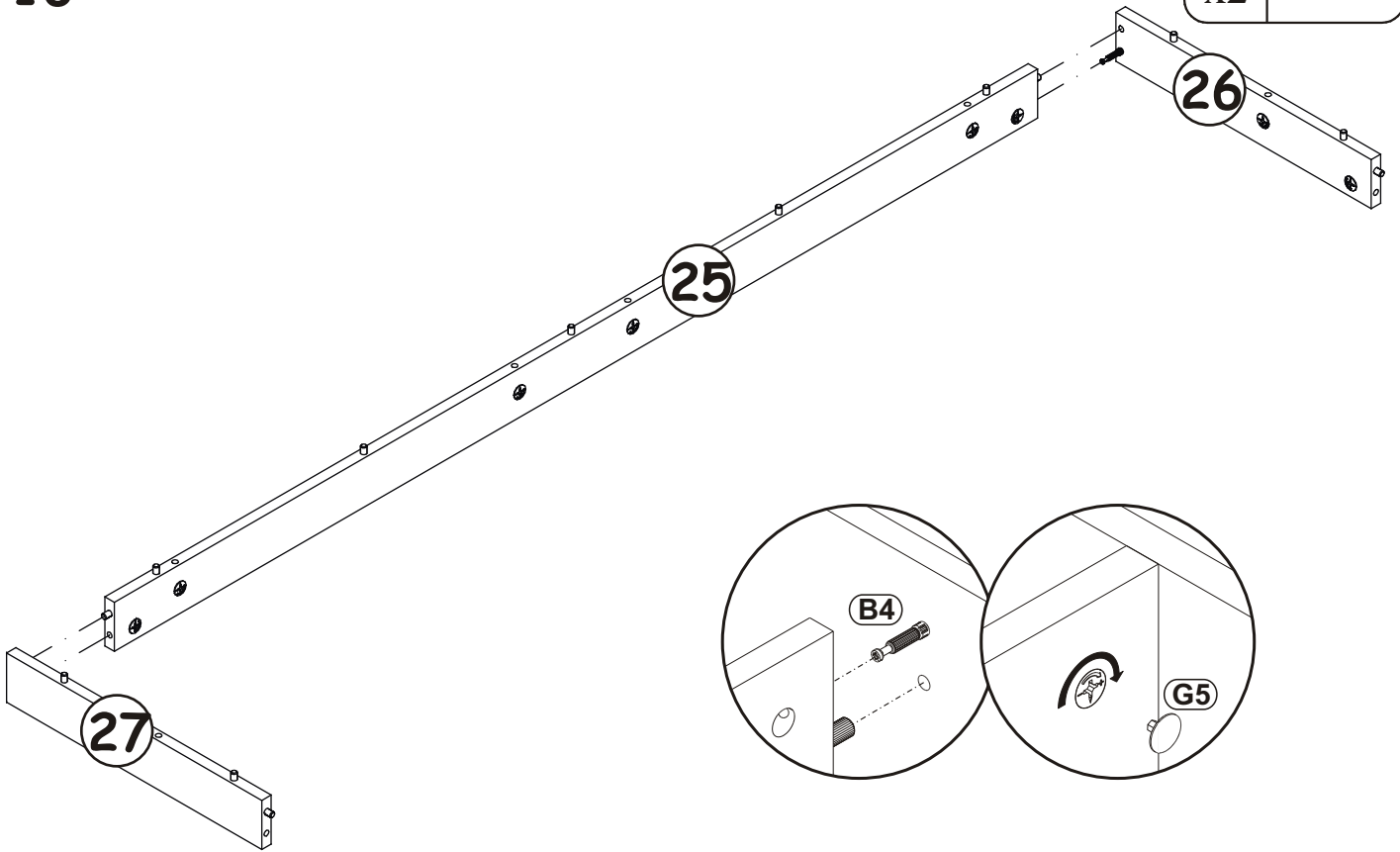
$X=Y$ 90°

S1		UP13	
x3		x12	UPØ3x16




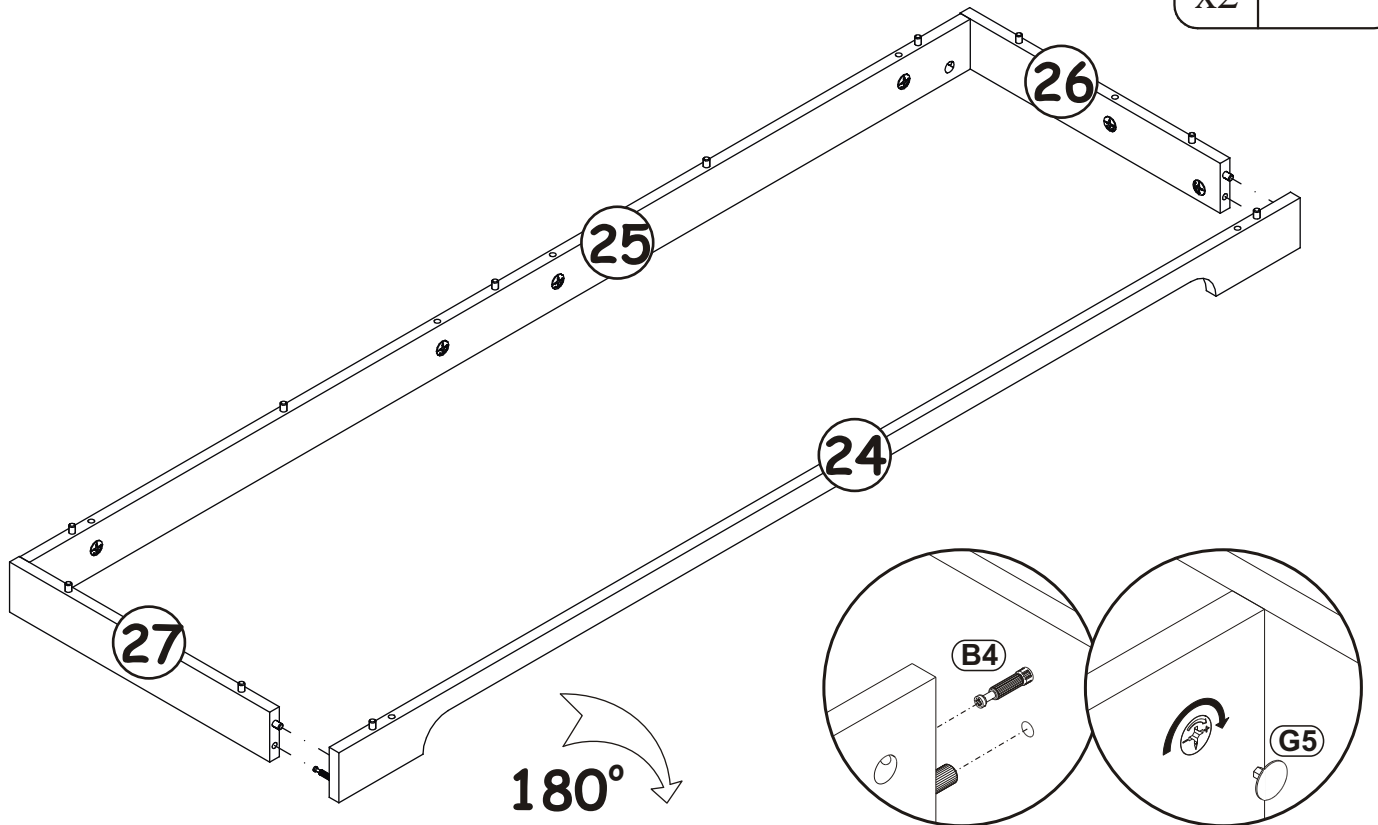
16

G5	
x2	




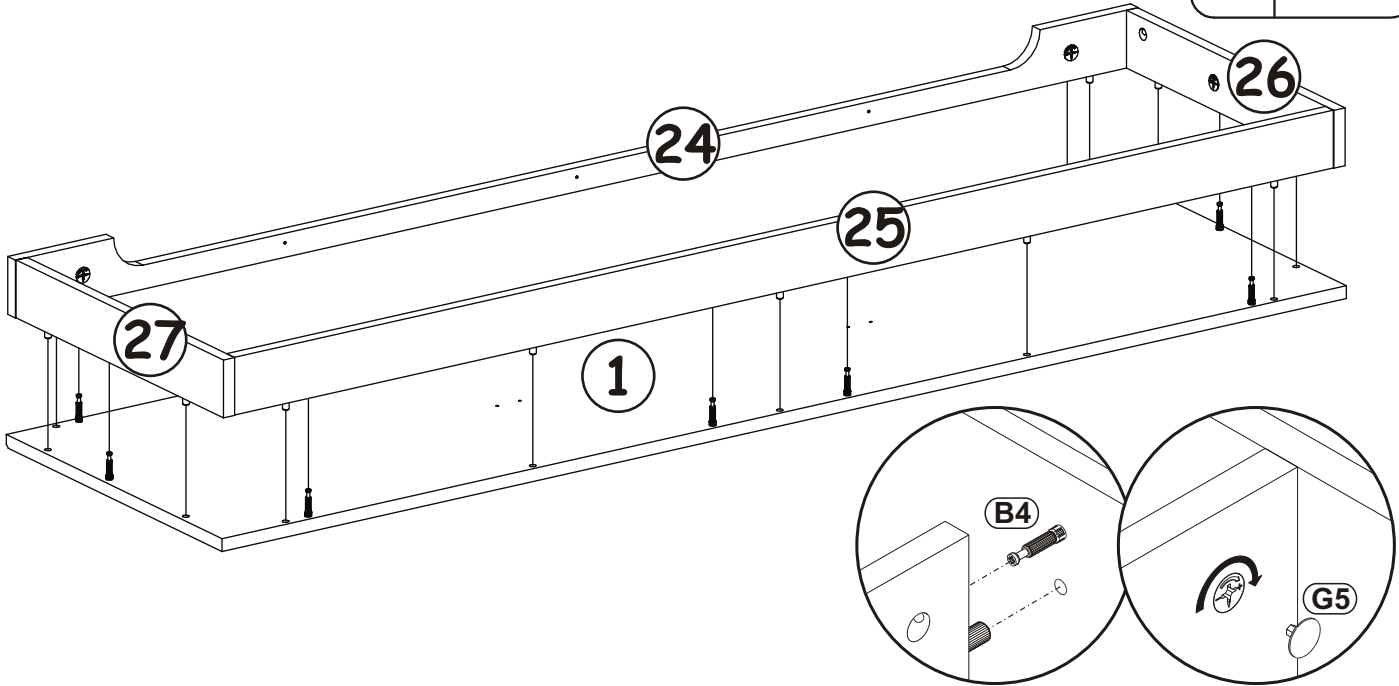
17

G5	
x2	

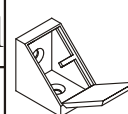


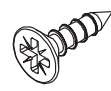
18


G5	
x8	

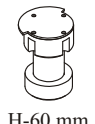



19

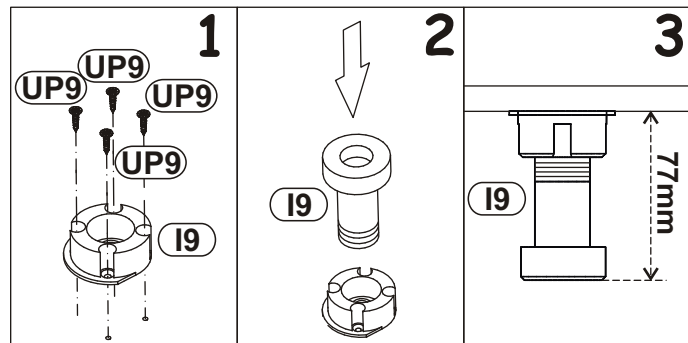
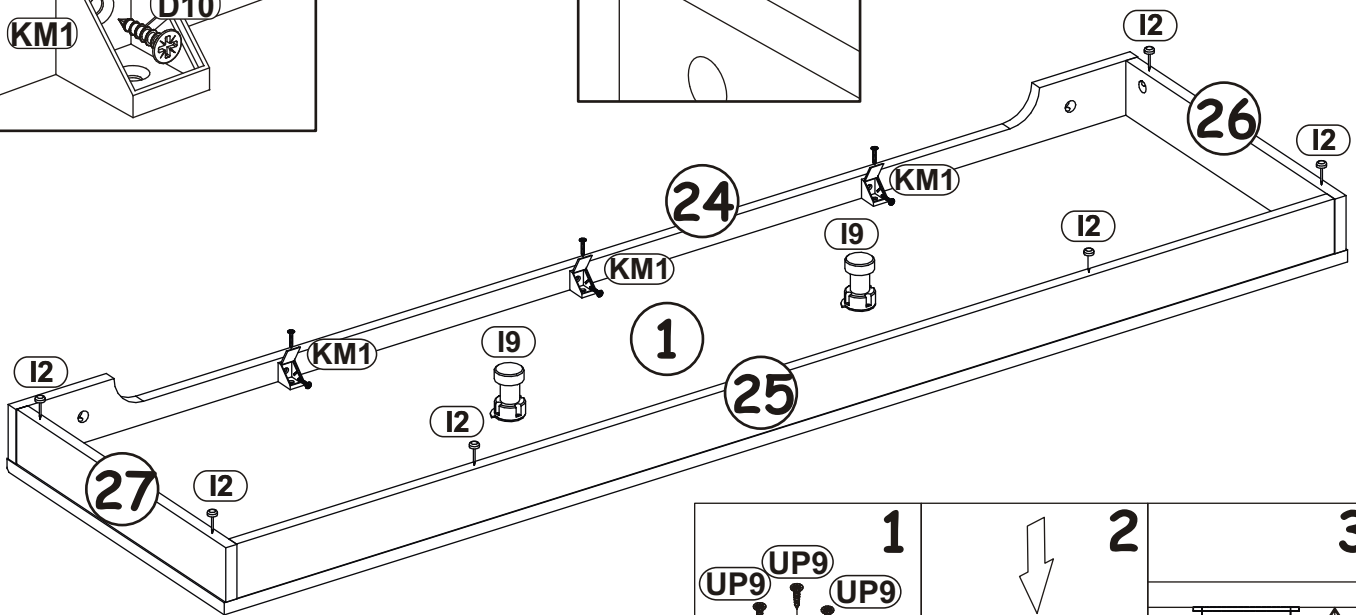
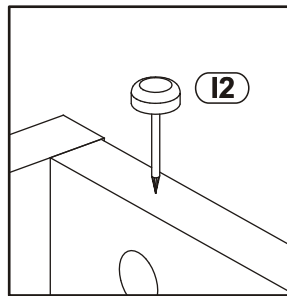
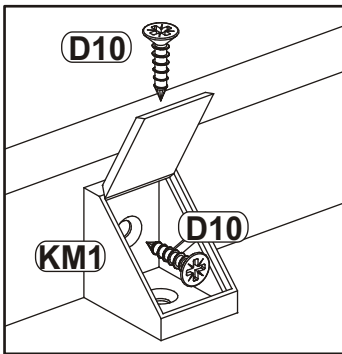
KM1	
x3	

D10	
x6	USØ3,5x13

I2	
x6	

I9	
x2	H-60 mm.

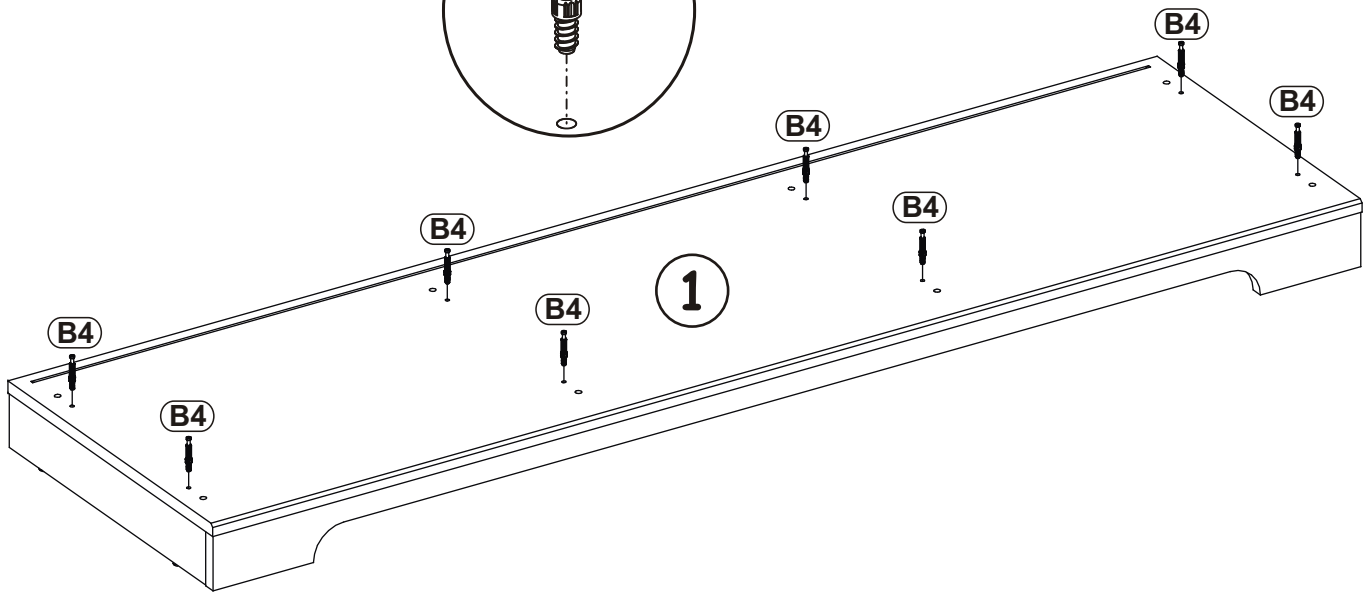
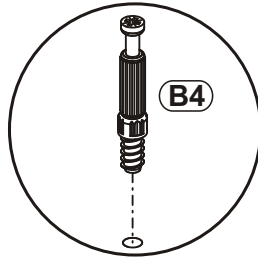
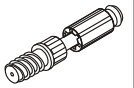
UP9	
x8	UPØ3,5x16



20

B4

x8



21

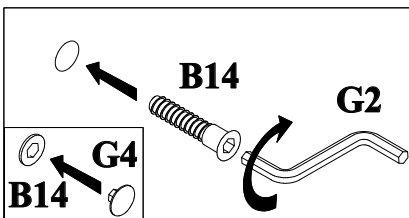
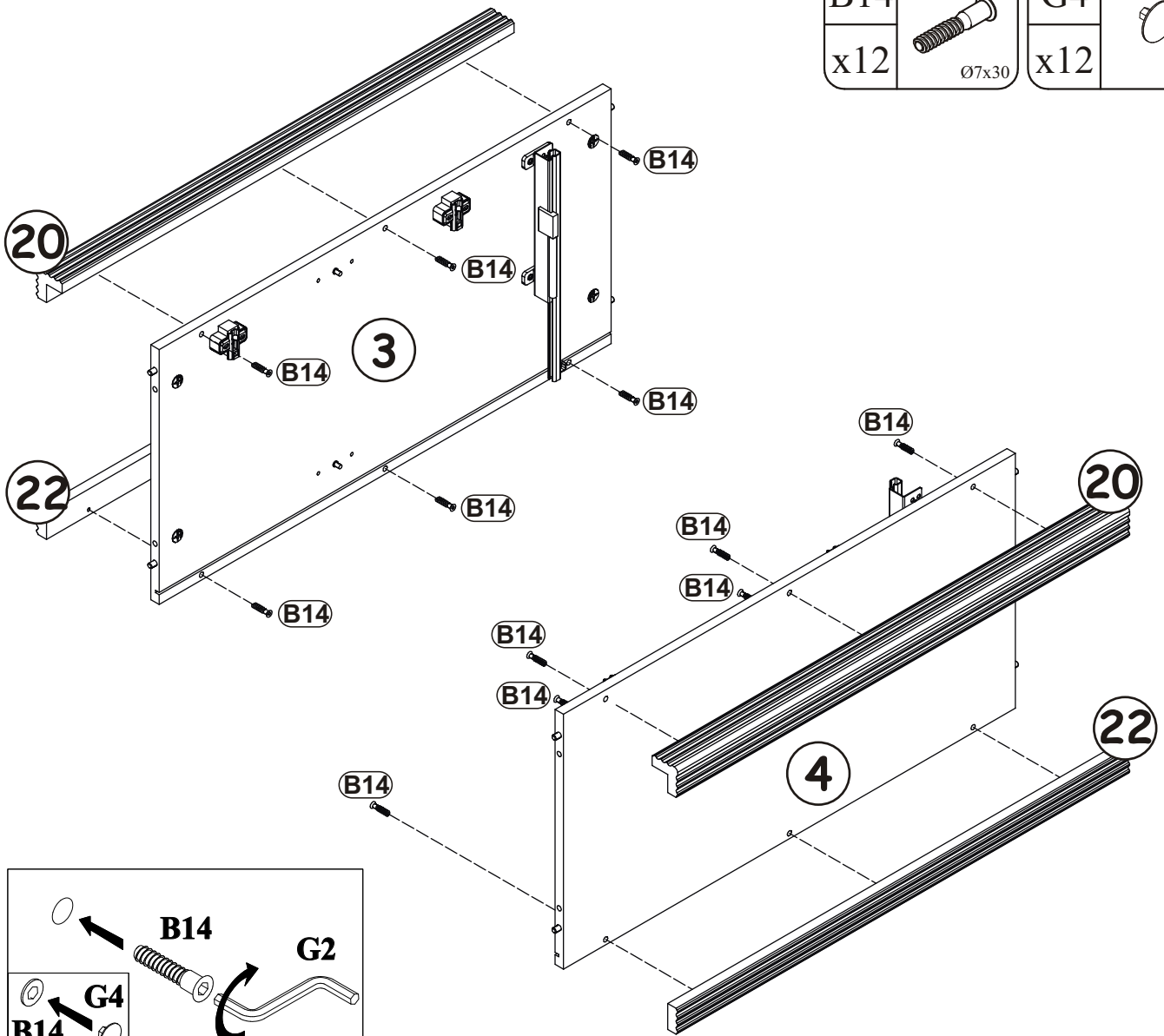
B14


x12



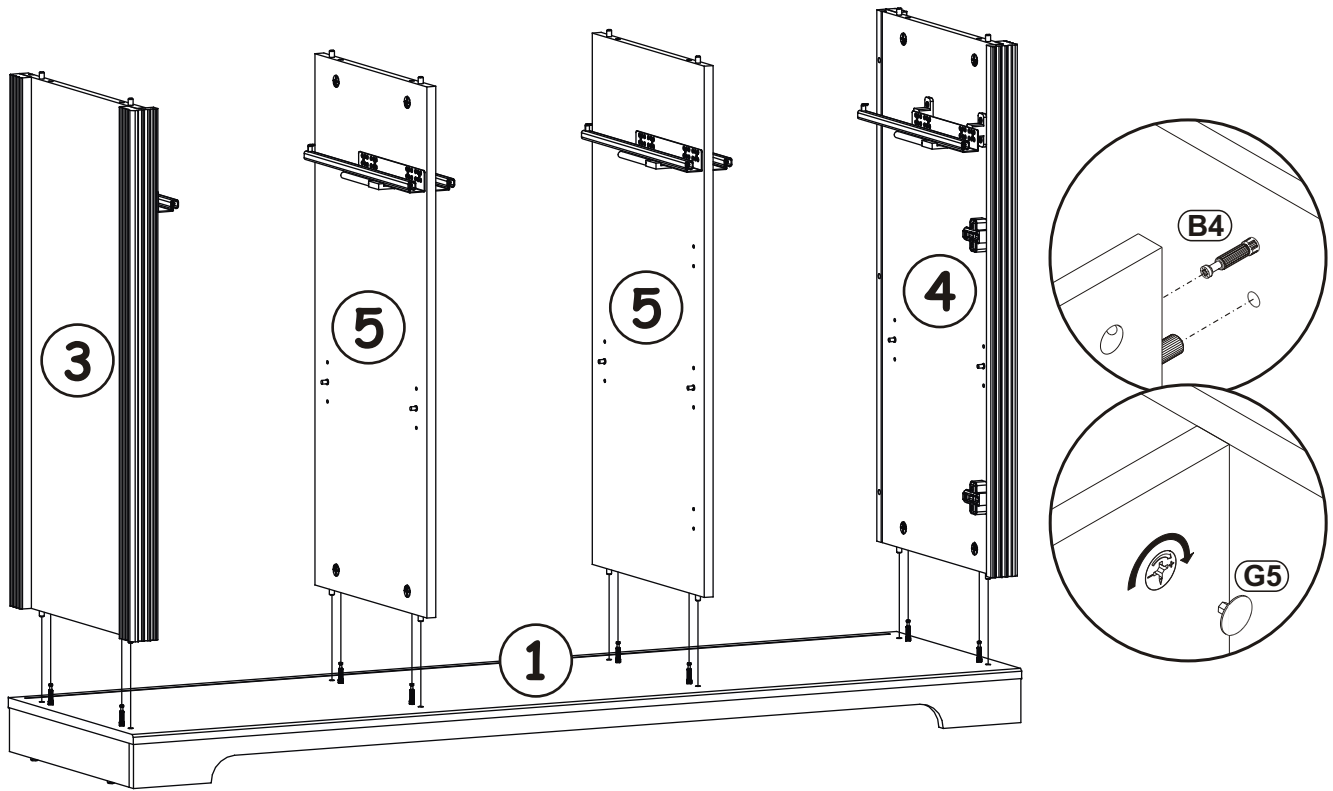
G4

x12

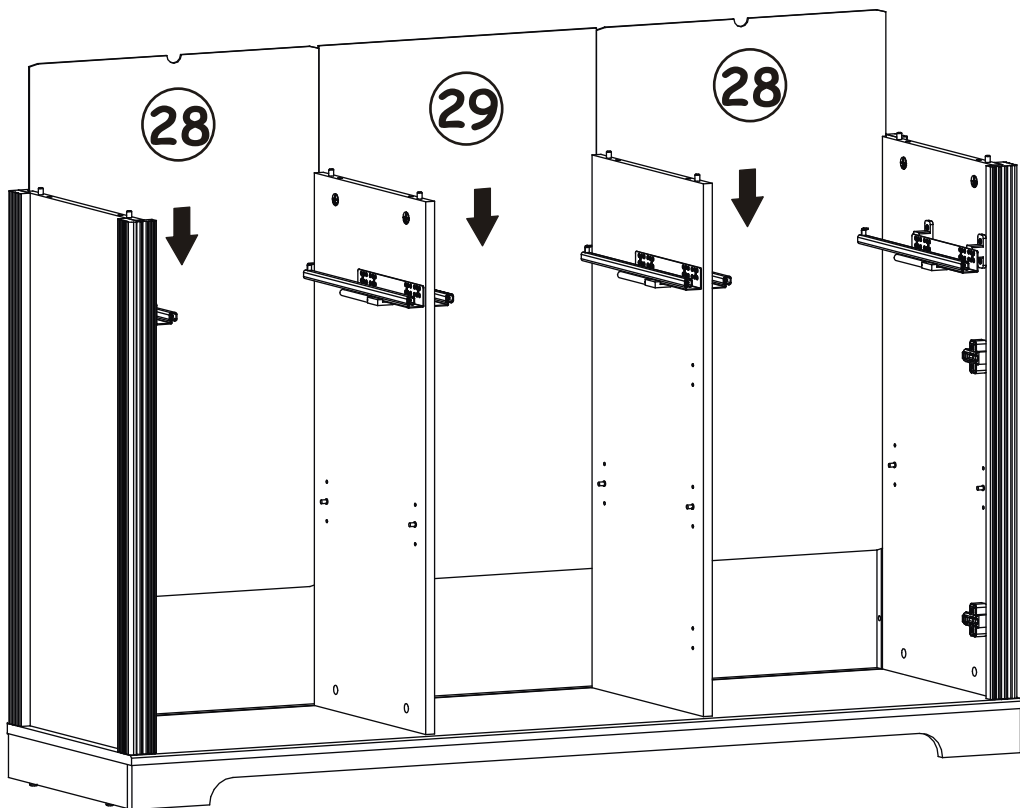


G5	
x8	

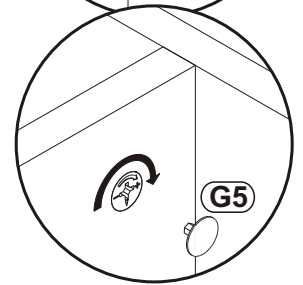
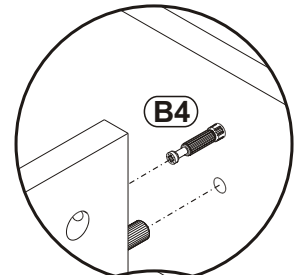
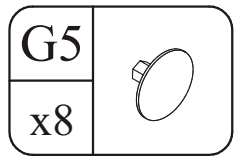
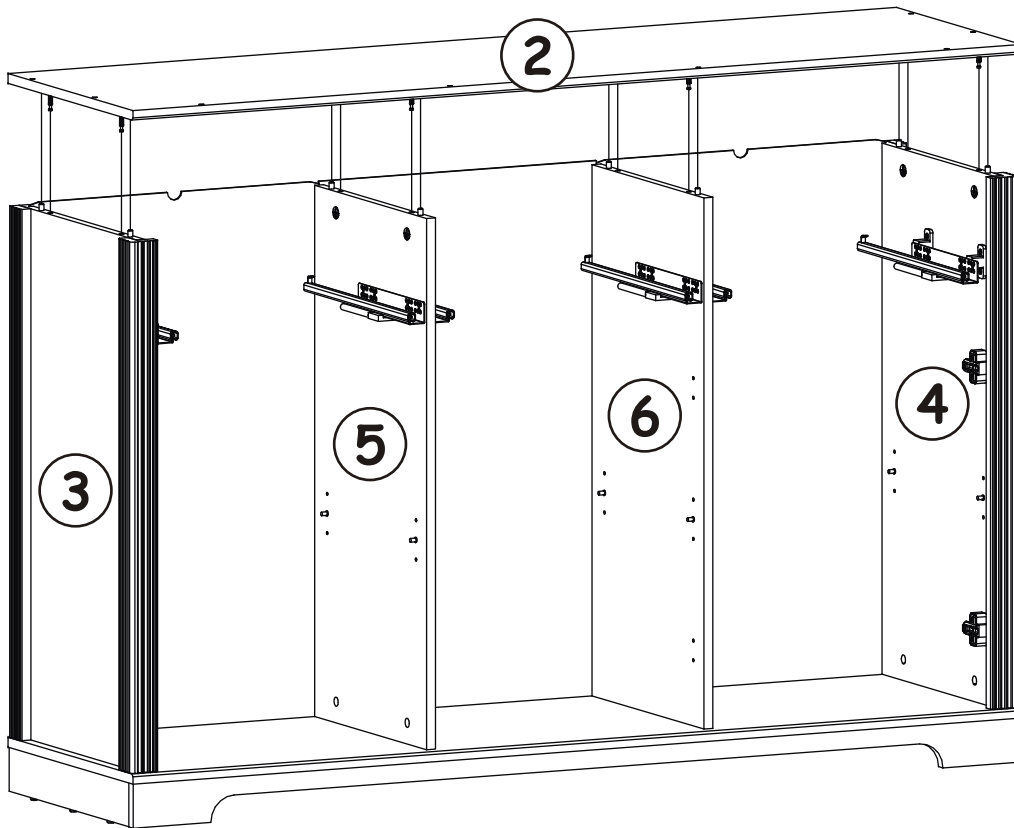
22



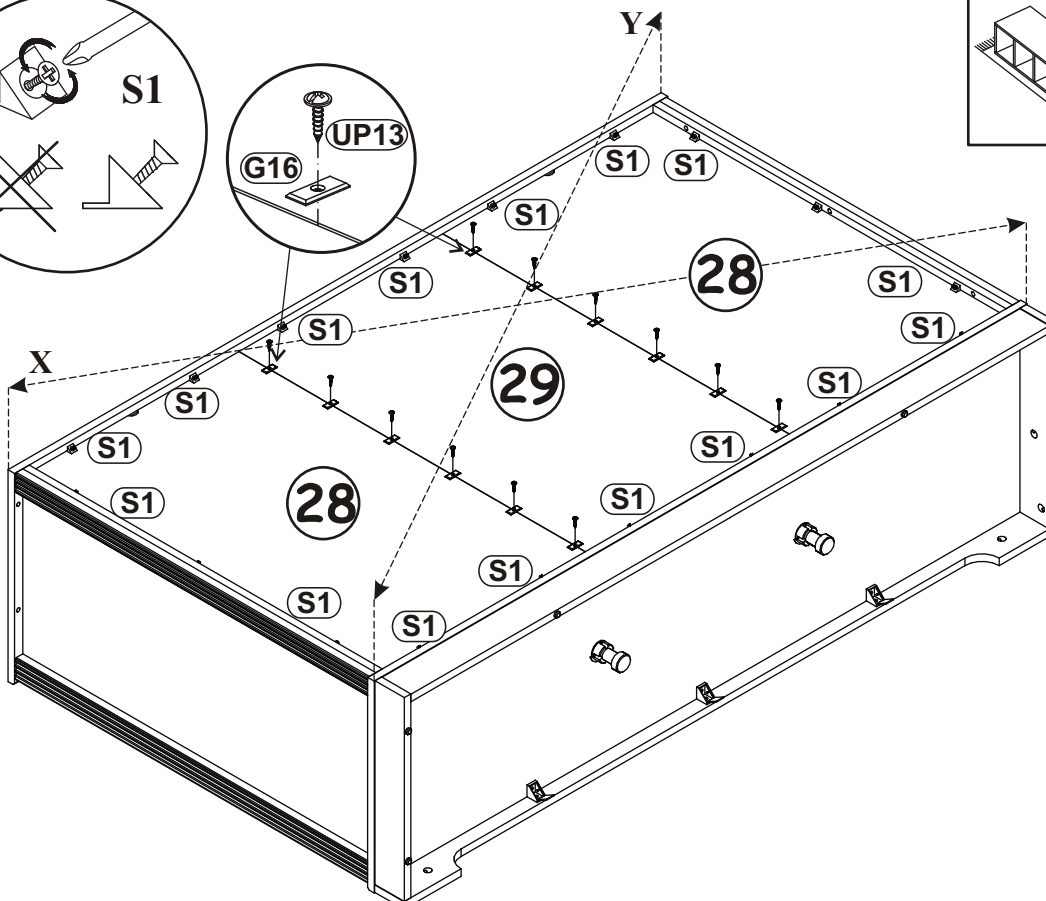
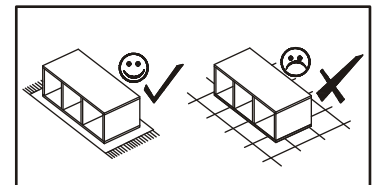
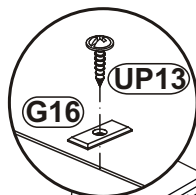
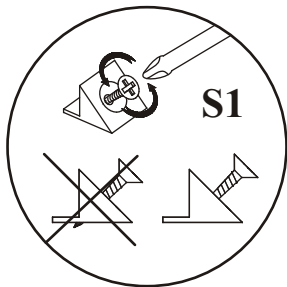
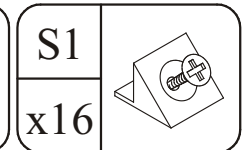
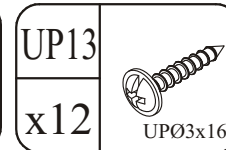
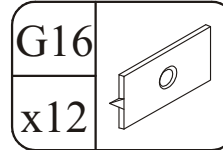
23





24

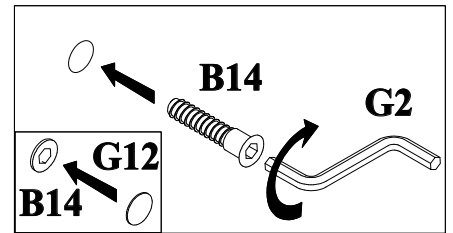
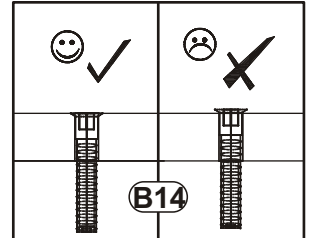
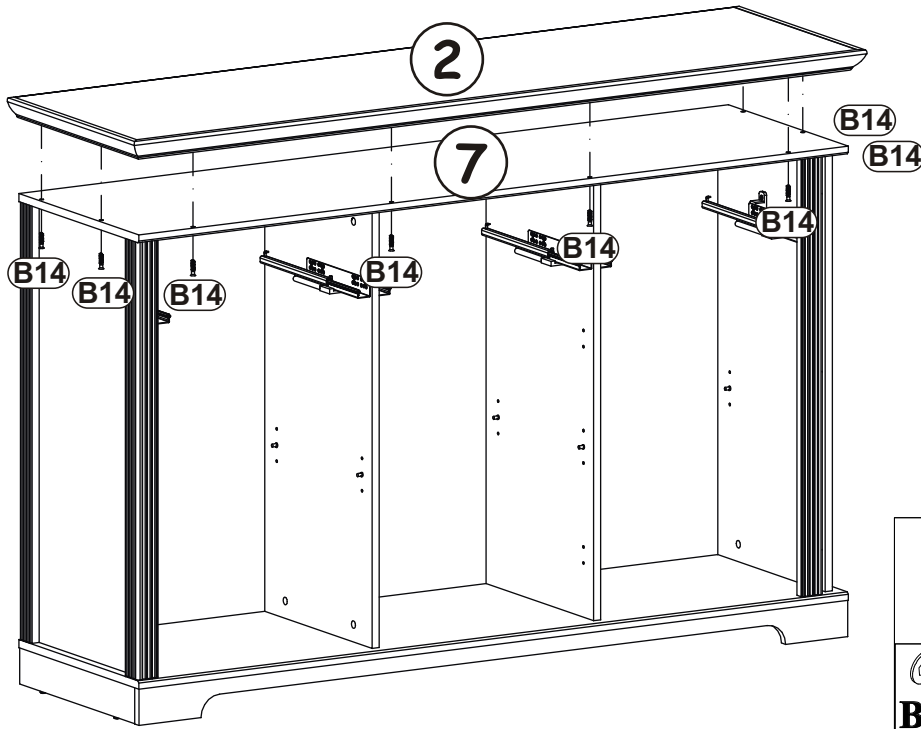


25

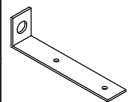
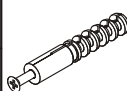
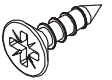


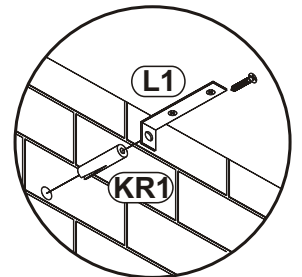
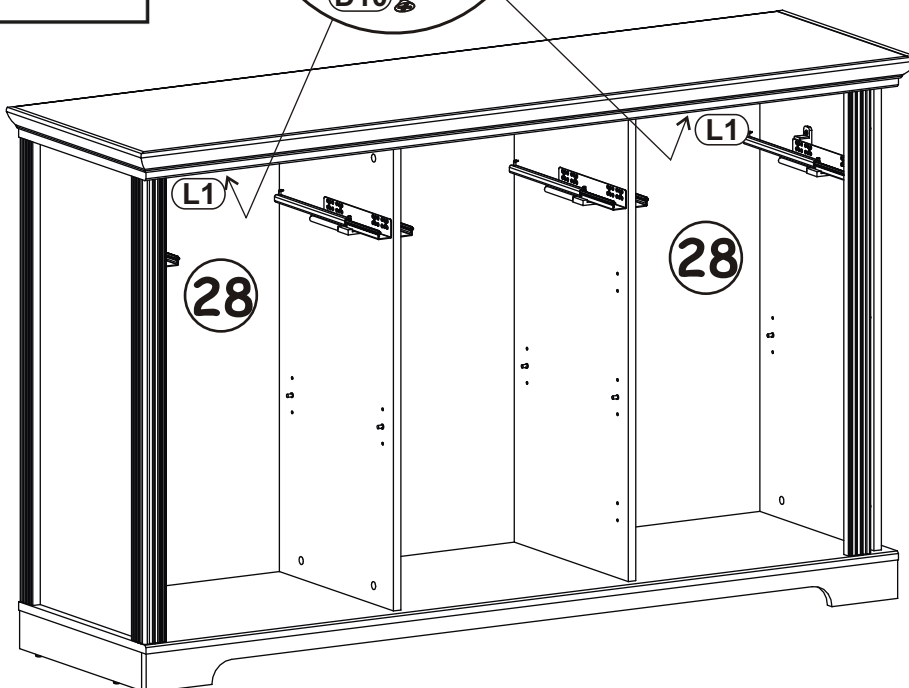
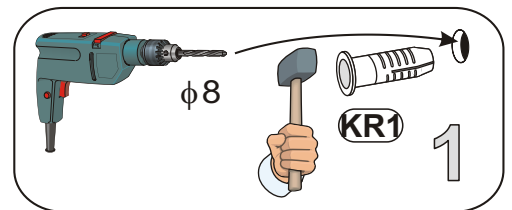
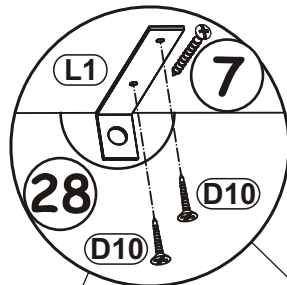
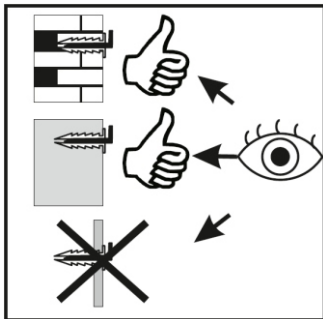
26

B14		G12	
x8	Ø7x30	x8	Ø14

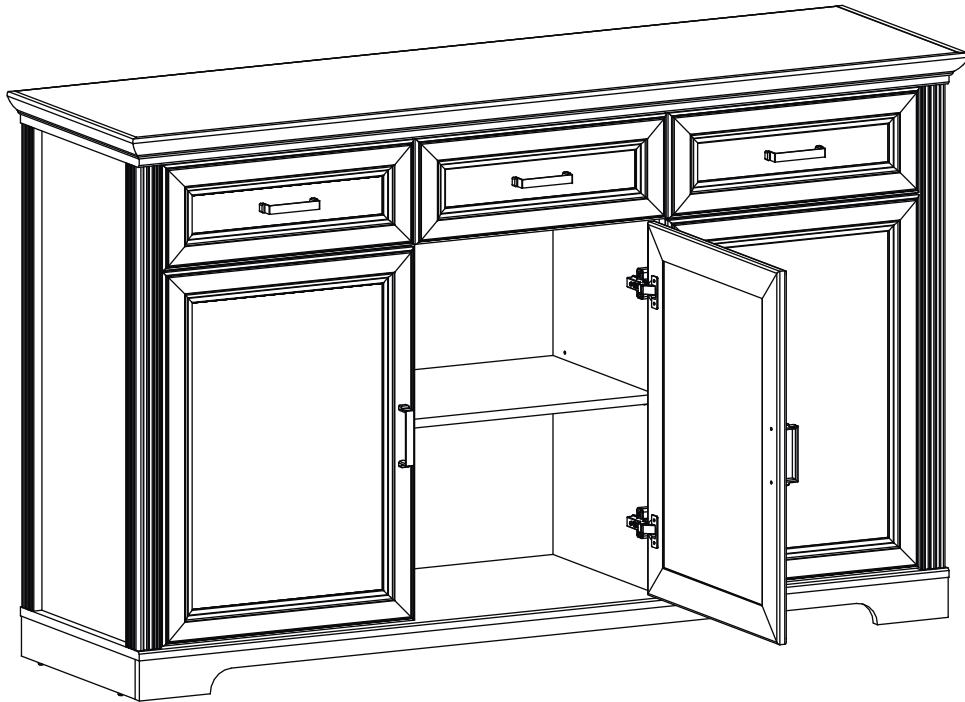


27

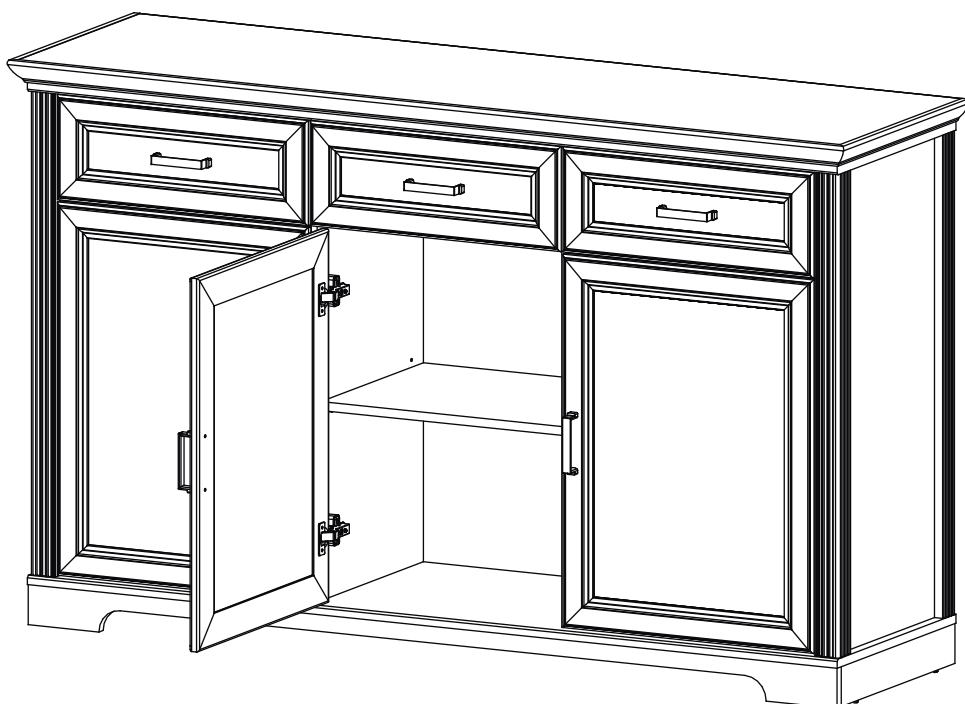
L1		KR1		D10	
x2		x2		x4	USØ3,5x13



28-31



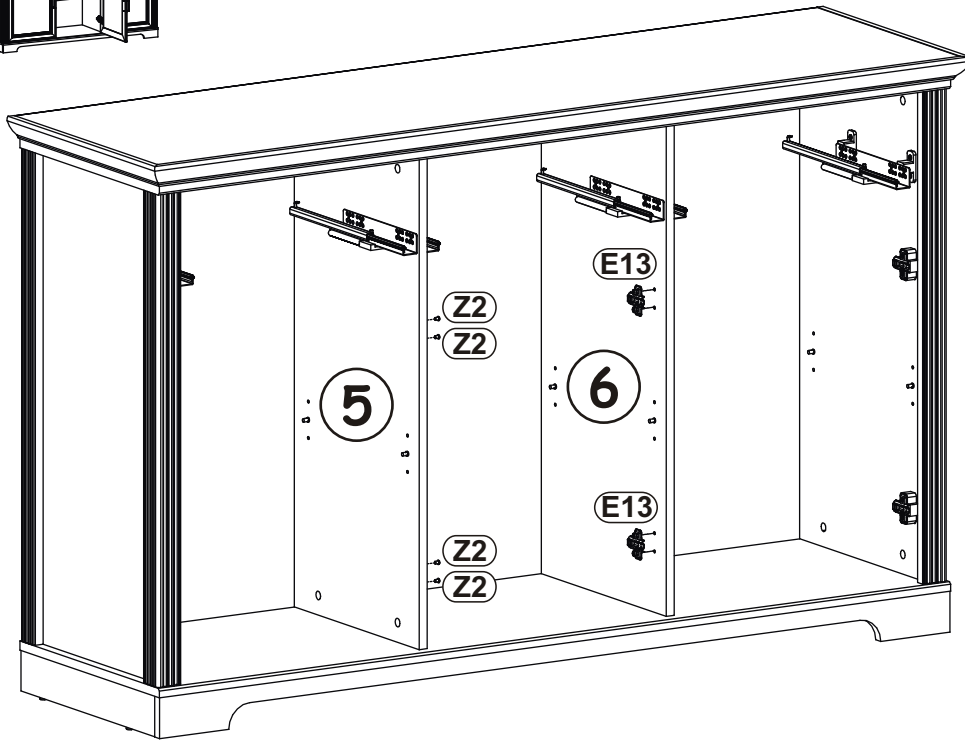
32-35



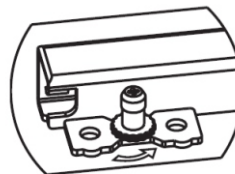
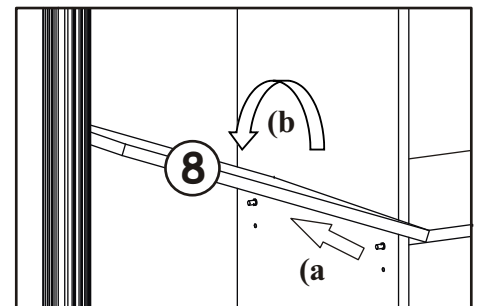
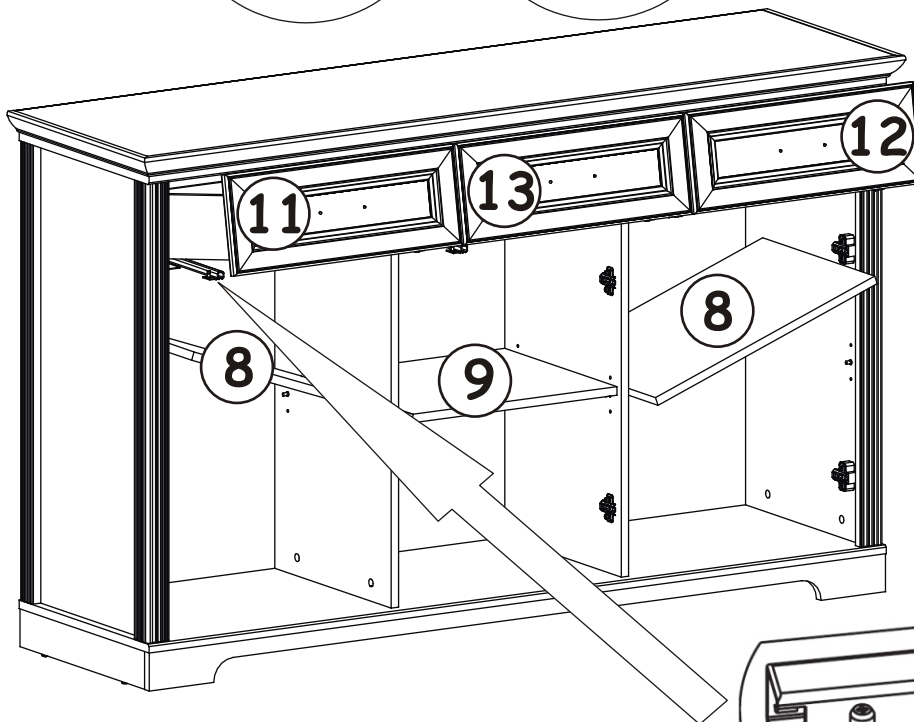
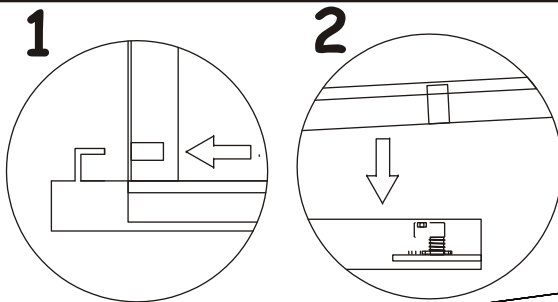
28



E13		Z2	
x2		x4	Ø5

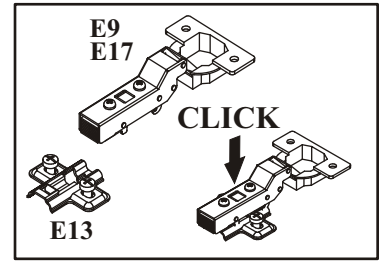
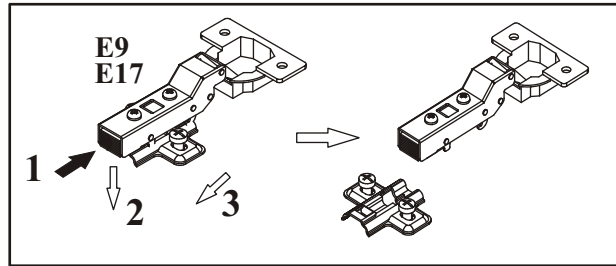
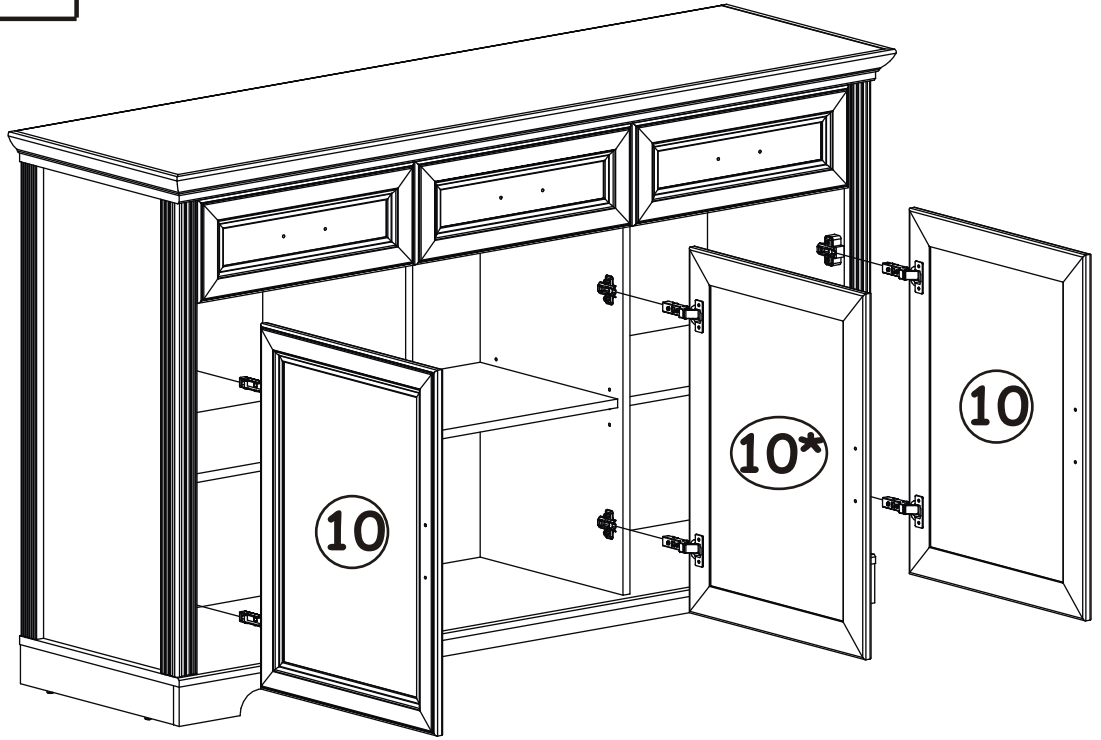
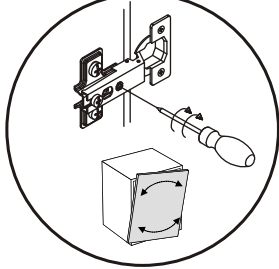
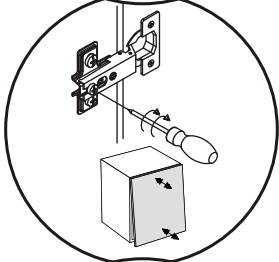
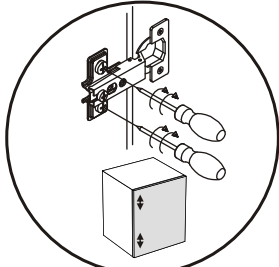


29

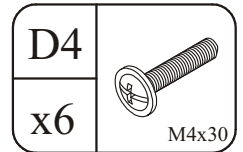
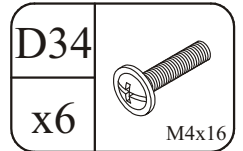
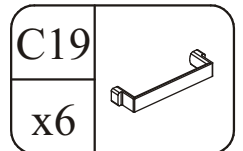
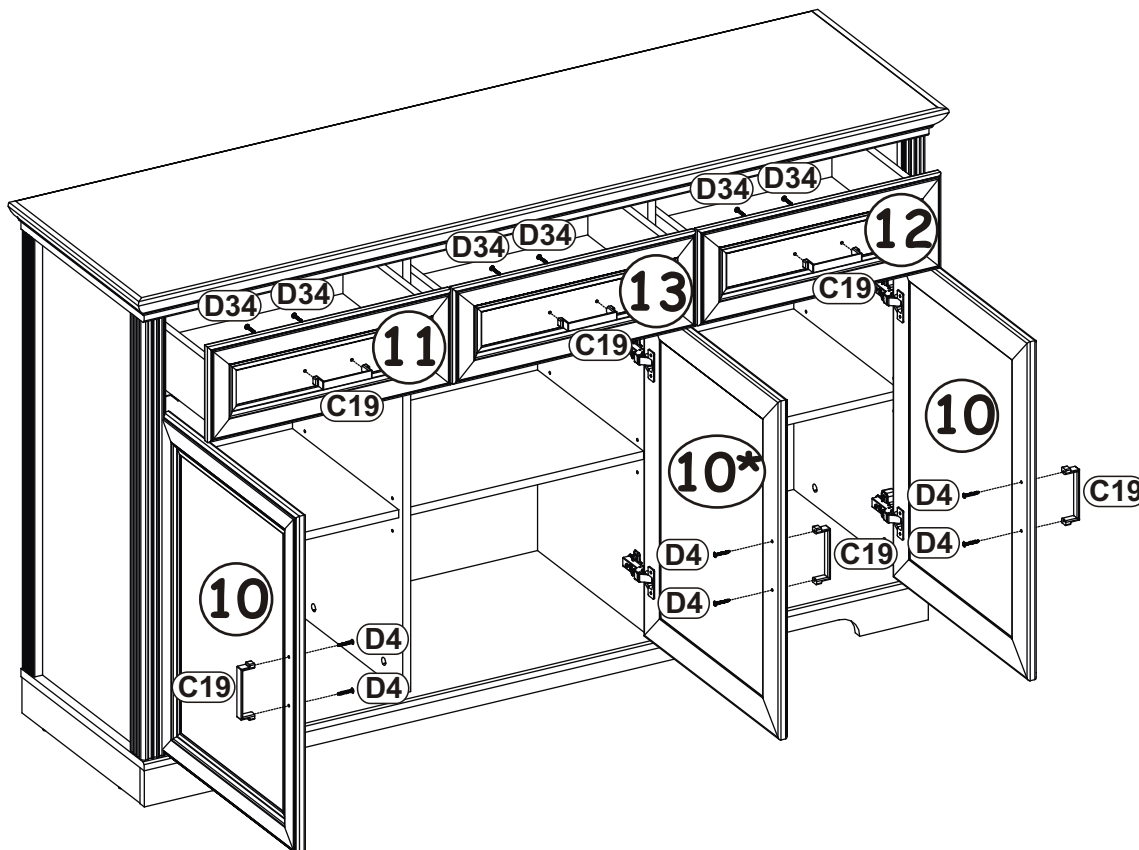


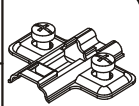

↑ +4 mm

30

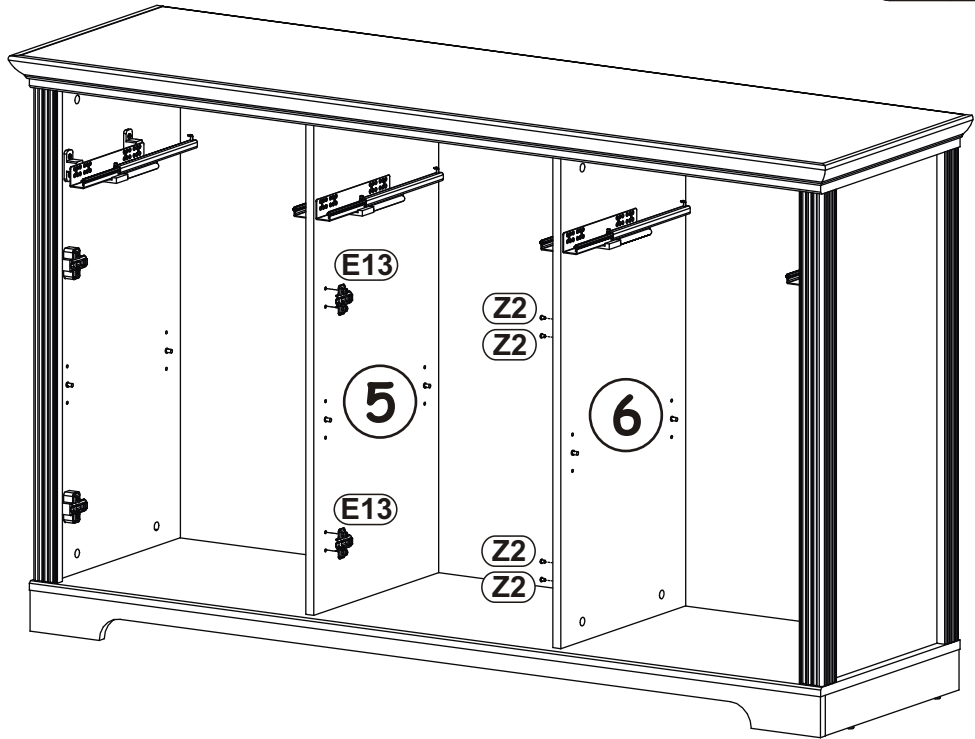
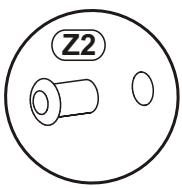
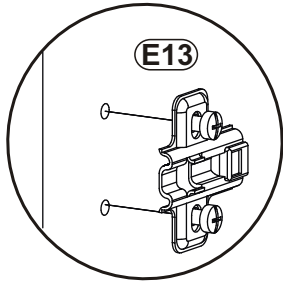


31

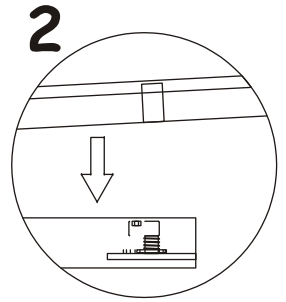
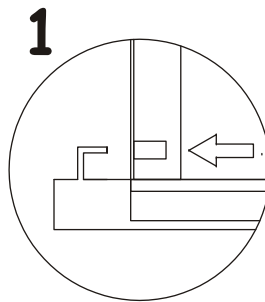


E13		Z2	
x2		x4	Ø5

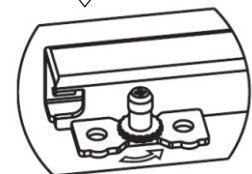
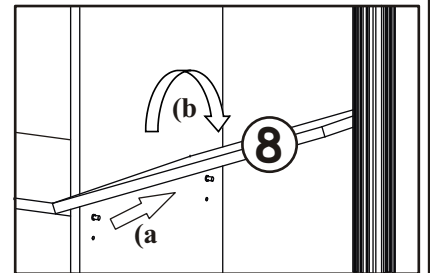
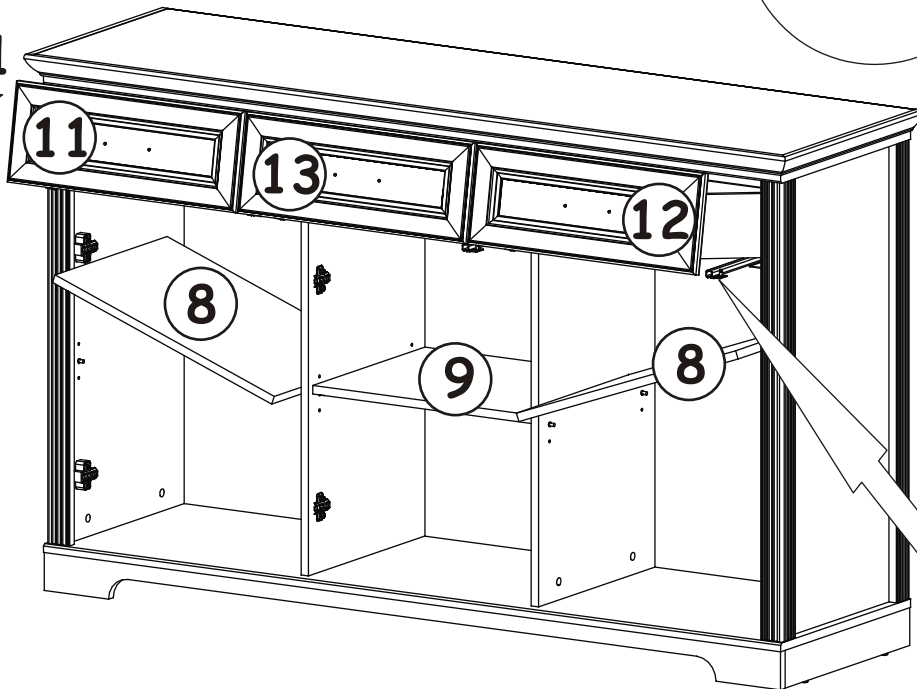
32



33

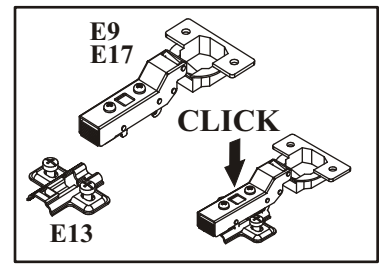
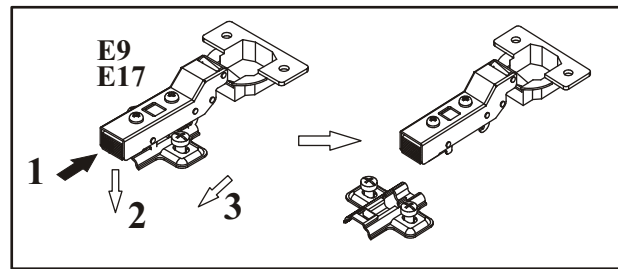
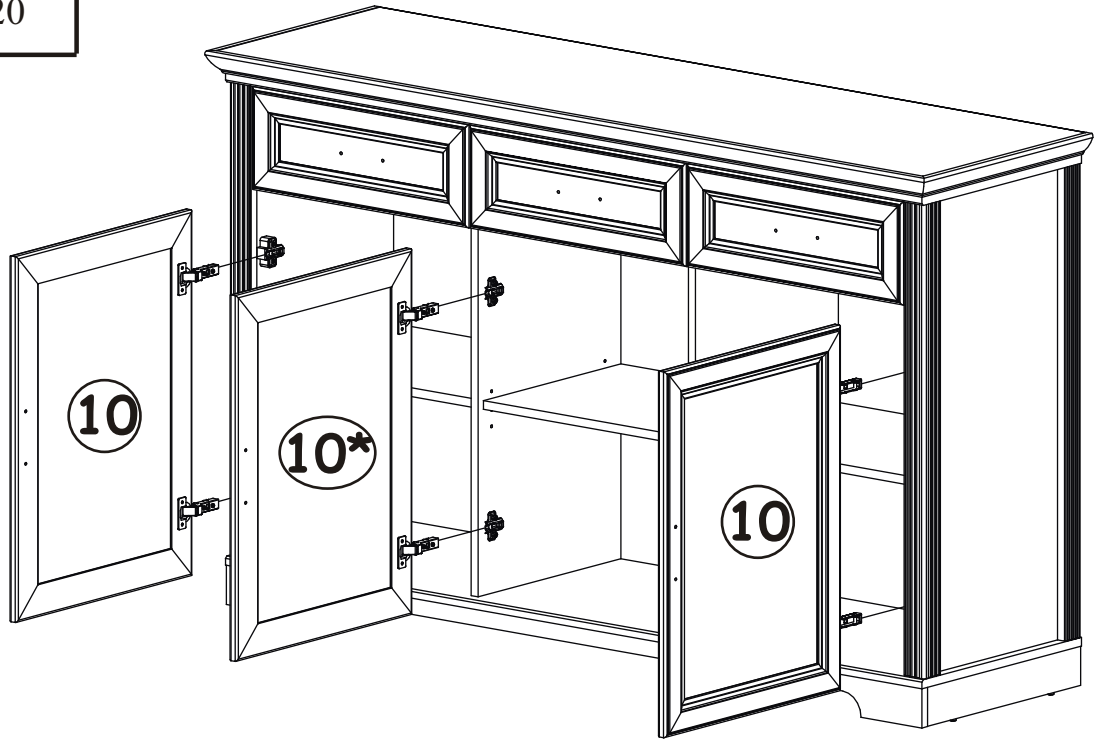
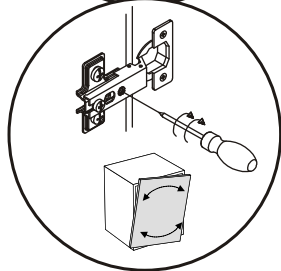
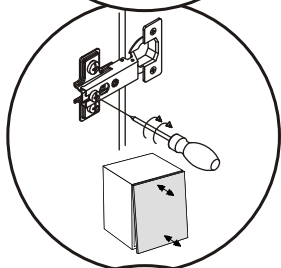
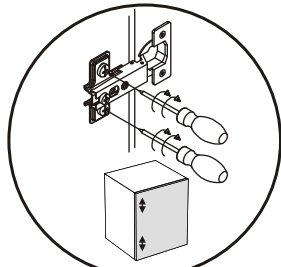


2
↓
1
→



↑ +4 mm

34



35

